



Makita[®]

VC2012L

VC2512L

VC3011L



Originalbetriebsanleitung

Original Operating Instructions

Notice d'utilisation d'origine

Oorspronkelijke Gebruiksaanwijzing

Istruzioni originali

Original driftsinstruks

Bruksanvisning i original

Original brugsanvisning

Alkuperäiset ohjeet

Manual original

Instruções de operação original

Πρωτότυπο οδηγιών χρήσης

Original talimatlar

Izvirna navodila

Izvorni upute

Pôvodný návod na použitie

Původní návod k používání

Instrukcja oryginalna

Eredeti használati utasítás

Original instruçiuni

Оригинална инструкция

Оригинальные инструкции

Algupärane kasutusjuhend

Instrukcijas oriģinālvalodā

Originali instrukcija

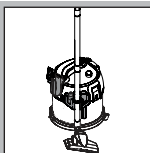
Udhëzimet origjinale

Оригинално упатство за употреба

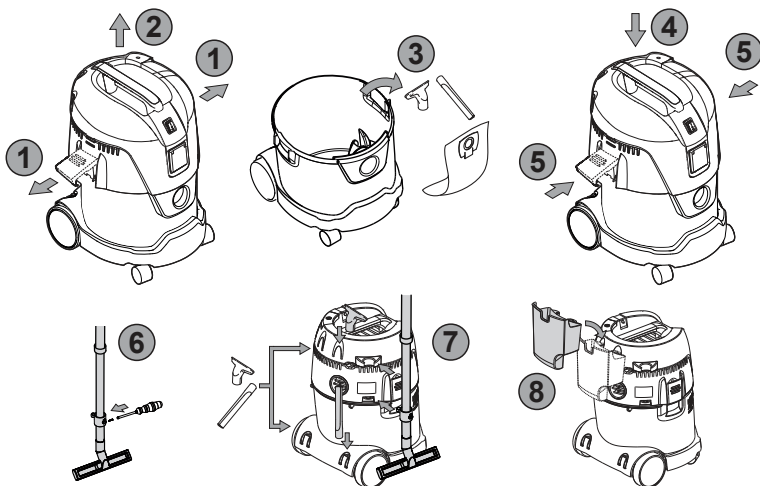
Првобитна упутства

Оригинальні інструкції

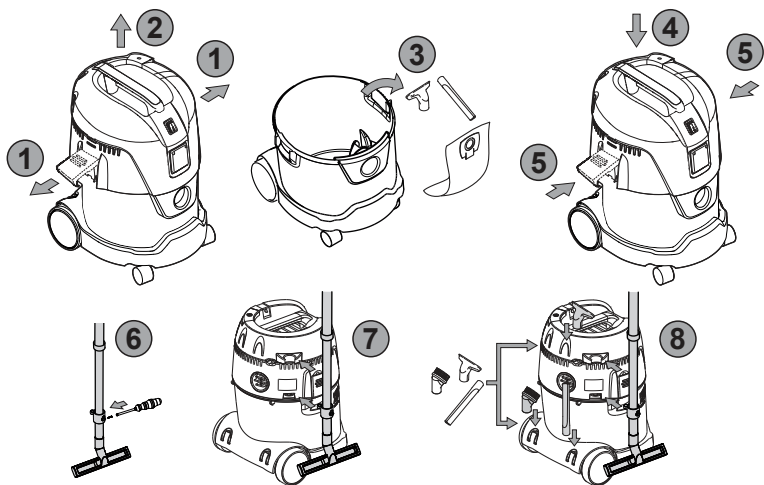
A



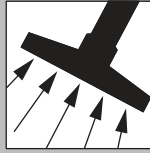
VC2012L / VC3011L



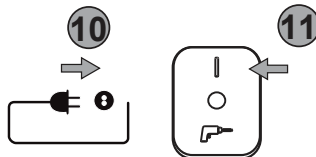
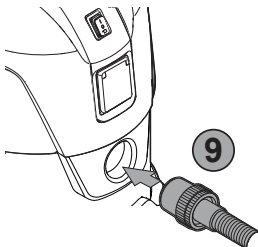
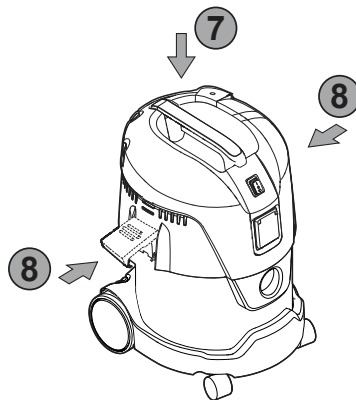
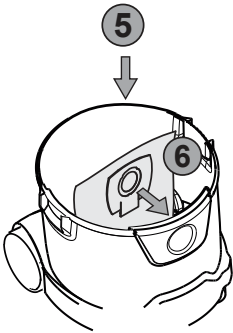
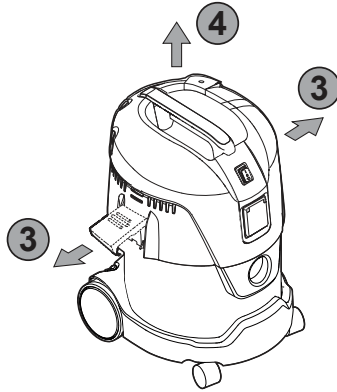
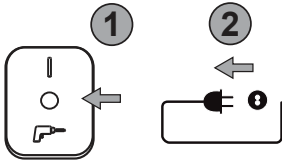
VC2512L



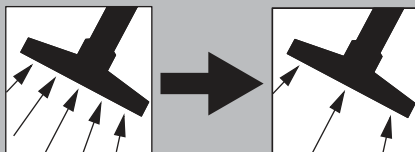
B



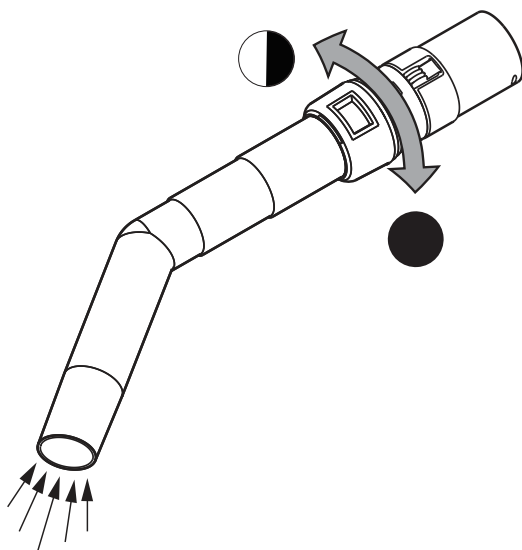
VC2012L / VC2512L / VC3011L



B



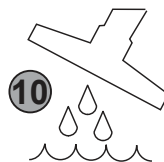
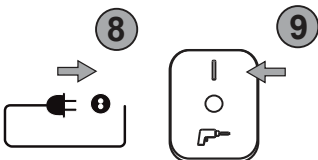
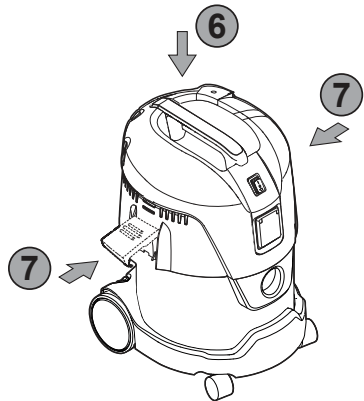
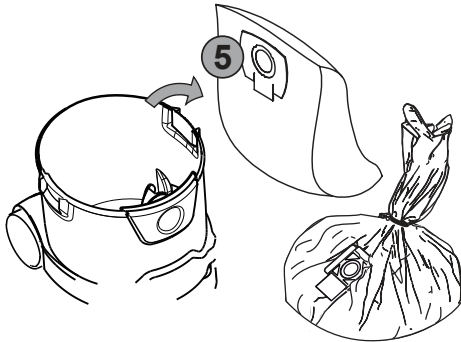
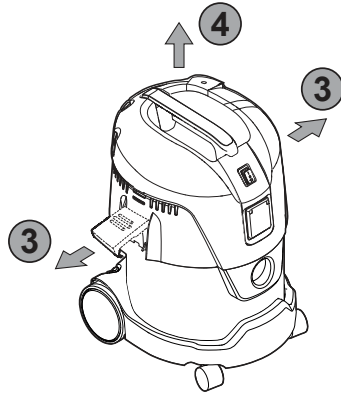
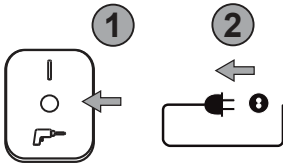
VC2012L / VC2512L / VC3011L

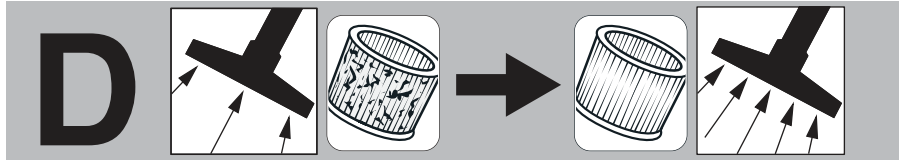


C

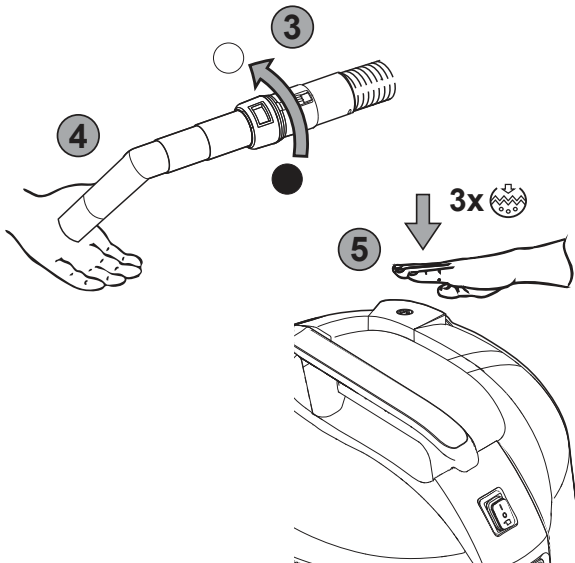
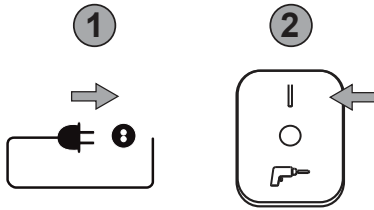


VC2012L / VC2512L / VC3011L

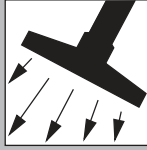




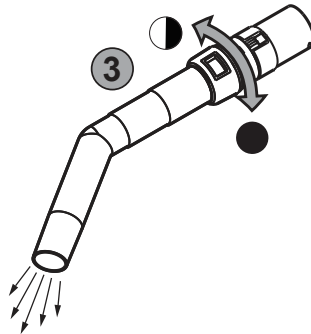
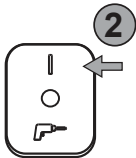
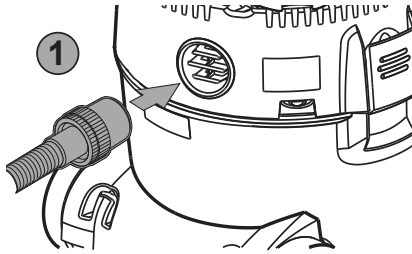
VC2012L / VC2512L / VC3011L



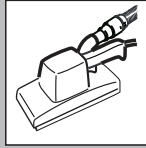
E



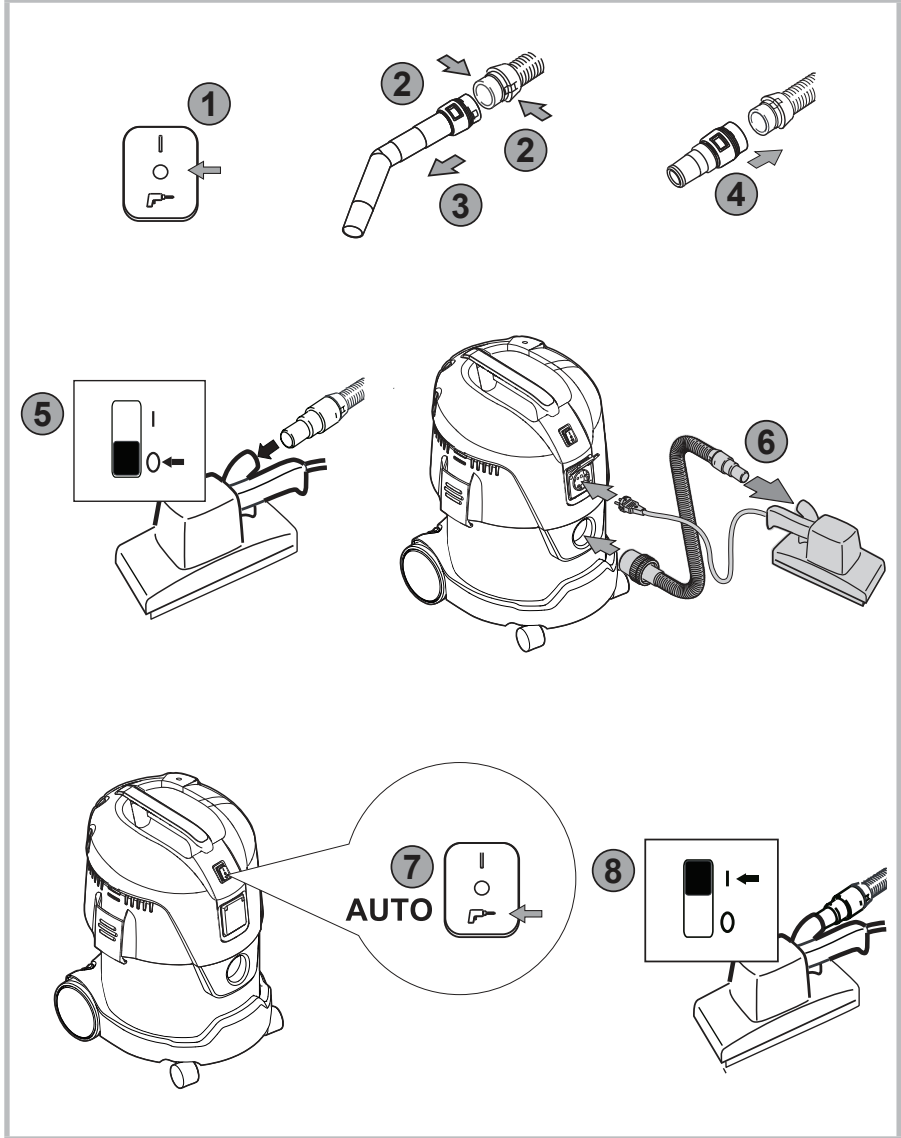
VC2012L / VC2512L / VC3011L



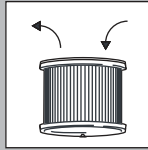
F



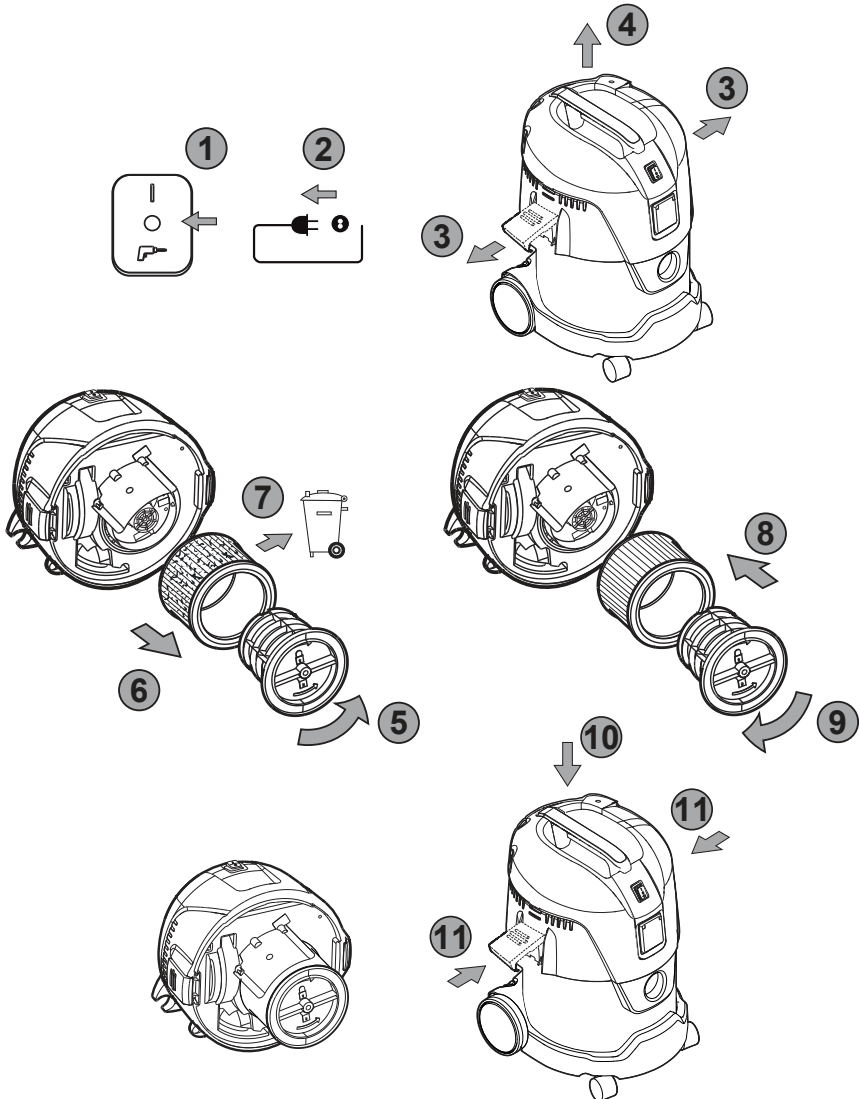
VC2012L / VC2512L / VC3011L



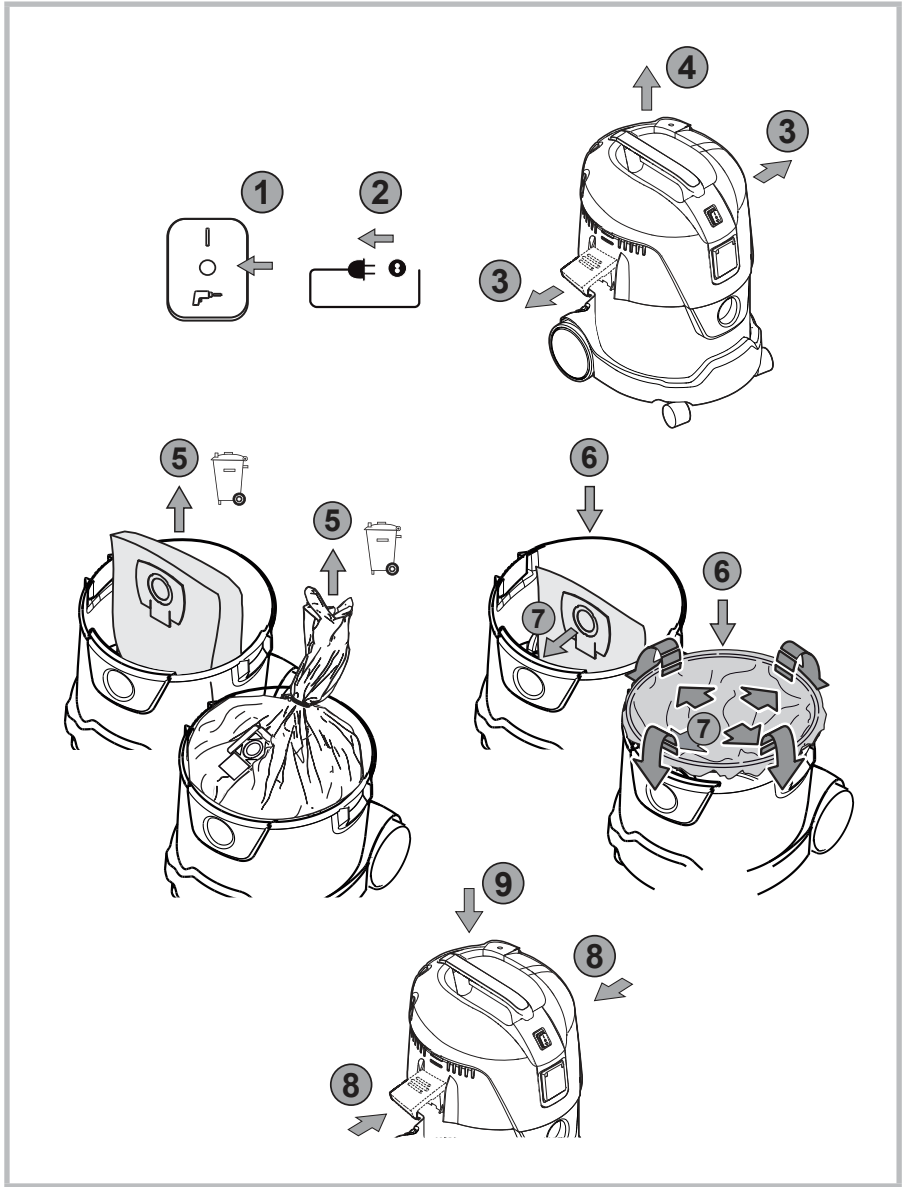
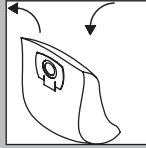
G



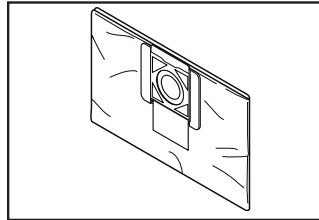
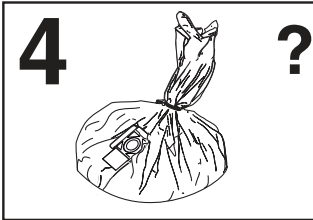
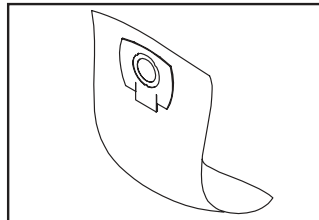
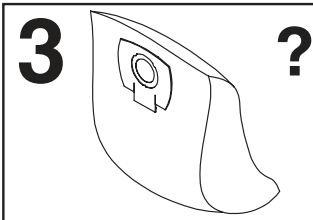
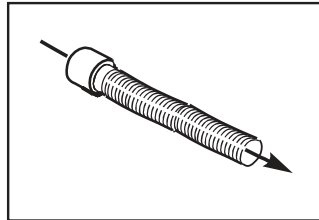
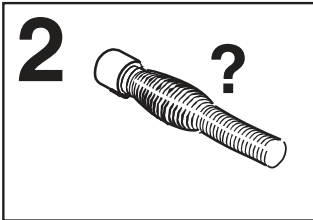
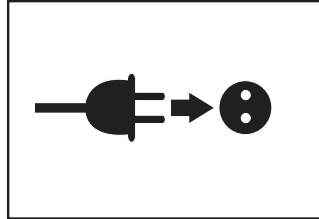
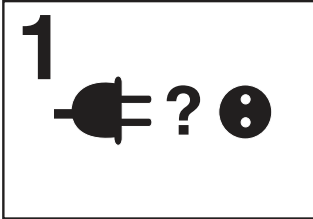
VC2012L / VC2512L / VC3011L



G



H

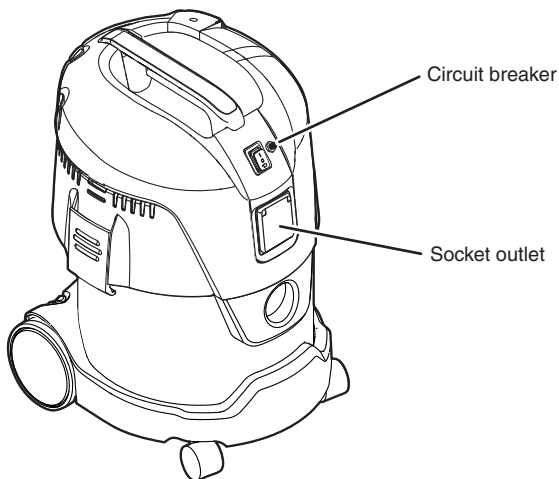


H



Function of the resettable circuit breaker

Applicable for models for the Australian market with a resettable circuit breaker



Only connect suitable power tools to the socket outlet on the vacuum cleaner. The power consumption of the power tool must not exceed 1,200 watts.

The socket outlet has a resettable circuit breaker. If the power consumption is too high, the circuit breaker interrupts the circuit. If the circuit breaker has tripped, it needs about 1 minute to cool down before it can be reset.

⚠ WARNING! Risk of injury from an automatically starting power tool. Before resetting the circuit breaker: Make sure that the connected power tool is switched off or disconnected from the socket outlet.

If the overload problem persists after resetting the circuit breaker several times: Seek professional help or contact Makita for technical advice.

A Important safety instructions

Before using the appliance, always read the operating instructions and keep them readily available.

Attached to the US unit:

Vacuum Cleaner Safety Instructions US include important instructions to fire, electric shock or injury.

Purpose and intended use

Besides the operating instructions and the binding accident prevention regulations valid in the country of use, observe recognised regulations for safety and proper use.

The appliance must

- only be used by persons, who have been instructed in its correct usage and explicitly commissioned with the task of operating it
- only be operated under supervision

This appliance is not intended for use by persons (including children) with reduced physical, sensory or mental capabilities, or lack of experience and knowledge.

Children should be supervised to ensure that they do not play with the appliance.

The vacuum cleaners described in this operating manual are suitable for

- sucking up dust and liquids
- commercial use, e.g. in hotels, schools, hospitals, factories, shops, offices and rental businesses
- separation of dust with an exposure limit of greater than 1 mg/m³ (dust class L). Please observe regulations valid in your country.



The following materials should not be picked up by the vacuum cleaner:

- hot materials (burning cigarettes, hot ash, etc.)
- flammable, explosive, aggressive liquids (e.g. petrol, solvents, acids, alkalis, etc.)
- flammable, explosive dust (e.g. magnesium dust, etc.)

The appliance must

- only be used indoors and not outdoors
- be protected against UV radiation

B Before start-up

Ensure that the voltage shown on the rating plate corresponds to the voltage of the local mains power supply. It is recommended that the vacuum cleaner should be connected via a residual current circuit breaker.

Inspect power cord regularly to detect signs of damage, e.g. cracks or ageing. If the power cord is damaged, it must be replaced by Makita-Service or an electrician to avoid danger before use of the vacuum cleaner is continued. Use only the type of power cord specified in the operating manual.

As an extension lead, only use the version specified by the manufacturer or one of a higher quality.

When using an extension lead, check the minimum cross-sections of the cable:

Cable length	Cross section	
	< 16 A	< 25 A
up to 20 m	1,5 mm ²	2,5 mm ²
20 to 50 m	2,5 mm ²	4,0 mm ²



Only use the appliance if it is in undamaged condition. Never use the vacuum cleaner without a filter, or if the filter is damaged.

When dust removers are used, the rate at which air is exchanged in the room must be adequate if the exhaust air from the vacuum cleaner is blown into the room (please observe regulations valid in your country).

Before starting work, the operating staff must be informed on

- use of the vacuum cleaner
- risks associated with the material to be picked up
- safe disposal of the picked up material

B Operation

	Switch position	Function
	I	On
	0	Off
		Auto-On/Off

C Picking up liquids

Before liquids are picked up, always remove the filter bag. Check that the float works properly. If foam develops or liquid emerges, stop work immediately and empty the dirt tank.

D Cleaning the filter element

If suction performance drops:

1. Switching on the vacuum cleaner.
2. Close the nozzles or suction hose opening with the palm of your hand.
3. Press the button to start filter cleaning for at least three times for two seconds each. The resulting stream of air removes attached dust from the slats of the filter elements.
4. If the suction power is too low after filter cleaning: replace filter.

E Blower function

The cleaner has a blower function to clean inaccessible places or to dry the surface of wet items.

Do not direct the air into rooms in an uncontrolled manner. When using the blower function, always use a clean hose. Stirred-up dust can be hazardous to health. Do not use the blower function in closed rooms.

F Connecting electrical appliances

Use the socket on the vacuum cleaner for the purpose defined in the operating instructions only.

Before plugging an appliance into the appliance socket:

1. Switch off the vacuum cleaner.
2. Switch off the appliance to be connected.

CAUTION! Follow the operating instructions and safety instructions for appliances connected to the power tool socket.

G + H Maintenance, cleaning and repair

Only carry out maintenance work described in the operating instructions. Always pull out the mains plug before cleaning and maintenance of the vacuum cleaner. Never spray water on to the upper section of the vacuum cleaner: Danger for persons, risk of short-circuiting.

The use of non-genuine spare parts and accessories can impair the safety of the appliance. Only use spare parts and accessories from Makita.

During maintenance and cleaning, handle the vacuum cleaner in such a manner that there is no danger for maintenance staff or other persons.

In the maintenance area

- use filtered compulsory ventilation
- wear protective clothing
- clean the maintenance area so that no harmful substances get into the surroundings

During maintenance and repair work all contaminated parts that could not be cleaned satisfactorily must be

- packed in well sealed bags
- disposed of in a manner that complies with valid regulations for such waste removal

A dust test must be performed at least once every year by Makita service or a trained person. This test includes, for example, whether there is damage to the filter, the vacuum cleaner is sealed to the air and the control equipment works properly.

Disposal of filter elements, filter bags and disposal bags

Discard filter elements, filter bags and disposal bags in accordance with the national regulations.

Transport

Before transporting the dirt tank, close all the locks. Do not tilt the cleaner if there is liquid in the dirt tank. Do not use a crane hook to lift the cleaner.

Storage

Store the appliance in a dry place, protected from rain and frost. The machine shall be stored indoors only. Wet filters and the interior part of the liquid container shall be dried before storage.

Recycling the vacuum cleaner



As specified in European Directive 2012/19/EU on old electrical and electronic appliances, used electrical goods must be collected separately and recycled ecologically. Contact your local authorities or your nearest dealer for further information.

Guarantee

Our general conditions of business are applicable with regard to the guarantee. Subject to change as a result of technical alterations.

Spare parts and accessories

Description	Order no.		
	VC2012L	VC2512L	VC3011L
Filter element	P-70219		
Fleece filter bag	P-72899		
Disposal bag	P-70297		

Exploded drawings and parts lists are available on our homepage: www.makita.com

For European countries only

EC Declaration of Conformity

We hereby declare that the machine described below complies with the relevant basic safety and health requirements of the EU Directives, both in its basic design and construction as well as in the version put into circulation by us. This declaration shall cease to be valid if the machine is modified without our prior approval.

Product: Wet and dry vacuum cleaner
Type: VC2012L / VC2512L / VC3011L

Relevant EU Directives:
2006/42/EC, 2014/30/EU, 2011/65/EU

Applied harmonized standards:
EN 60335-1:2012+A11:2014+A13:2017
EN 60335-2-69:2012
EN 55014-1:2017
EN 55014-2:2015
EN IEC 61000-3-2:2019
EN 61000-3-3:2013+A1:2019
EN IEC 63000:2018

Authorised Documentation Representative:
Makita Europe N.V., Jan-Baptist Vinkstraat 2, 3070 Kortenberg, Belgium



01.07.2020
Hiroshi Tsujimura
Director - Makita Europe N.V.
Makita Europe N.V., Jan-Baptist Vinkstraat 2, 3070 Kortenberg, Belgium

For UK only

Declaration of Conformity

We hereby declare that the machine described below complies with the relevant basic safety and health requirements of the UK Regulations, both in its basic design and construction as well as in the version put into circulation by us. This declaration shall cease to be valid if the machine is modified without our prior approval.

Product: Wet and dry vacuum cleaner
Type: VC2012L / VC2512L / VC3011L

Relevant UK Regulations:
S.I. 2008/1597 (as amended), S.I. 2016/1091 (as amended), S.I. 2012/3032 (as amended)

Applied Designated standards:
EN 60335-1:2012+A11:2014+A13:2017
EN 60335-2-69:2012
EN 55014-1:2017
EN 55014-2:2015
EN IEC 61000-3-2:2019
EN 61000-3-3:2013+A1:2019
EN IEC 63000:2018

Authorised Documentation Representative:
Makita Europe N.V., Jan-Baptist Vinkstraat 2, 3070 Kortenberg, Belgium



01.07.2020
Hiroshi Tsujimura
Director - Makita Europe N.V.
Makita Europe N.V., Jan-Baptist Vinkstraat 2, 3070 Kortenberg, Belgium

Importer: Makita (UK) Limited, Michigan Drive, Tongwell,
Milton Keynes, Buckinghamshire, MK15 8JD, UK

Technical data

		VC2012L	VC3011L	VC2512L	
Mains Voltage	V	110 (GB110V) 120 (US, CA, MX) 230 (EU, FR, BE, CH, GB230V) 240 (AU)		110 (GB110V) 120 (US, CA, MX) 230 (EU, FR, BE, CH, GB230V) 240 (AU)	
Mains frequency	Hz	50 (EU, FR, BE, CH, GB, AU) 60 (US, CA, MX)			
Fuse	A	10 (CH, AU) 13 (GB230V) 15 (US, CA, MX) 16 (EU, FR, BE, GB110V)			
Power consumption _{IEC}	Watt	1000			
Connected load for appliance socket	Watt	400 (US, CA, MX) 1300 (CH) 1200 (AU) 1900 (GB230V) 2600 (EU, FR, BE)		400 (US, CA, MX) 1300 (CH) 1200 (AU) 2600 (EU, FR, BE)	
Total connected load	Watt	1400 (US, CA, MX) 2300 (CH) 2200 (AU) 2900 (GB230V) 3600 (EU, FR, BE)		1400 (US, CA, MX) 2300 (CH) 2200 (AU) 3600 (EU, FR, BE)	
Air flow rate	m ³ /h (l/min) cfm	216 (3600) 127			
Vacuum	hPa (mbar)	210 (210)			
Sound pressure level at a distance of 1 m, ISO 3744, EN 60704-2-1	dB(A)	72 ± 2			
Sound level	dB(A)	64 ± 2			
Hand-arm-vibration	m/s ²	< 2.5			
Power cord: Length	m	7.5 (EU, FR, BE, CH, GB110V, US, CA, MX) 10 (GB230V, AU)		5 (EU, FR, BE, CH, GB230V, AU) 7.5 (US, GB110V)	
Power cord: Type		H05RR-F3G1.5 (EU, FR, BE, GB230V)		H05VV-F3G1.0 (EU, FR, BE, GB230V)	
		H05VV-F3G1.0 (CH) H05RR-F3G1.5 (AU) AWG 16/3G (US, CA, MX) H07BQ-F3G1.5 (GB110V)			
Protection class		I			
Type of protection		IP24			
Radio interference level		55014-1			
Dust class		L			
Tank volume	max.	l (UKgal /USgal)	20 (4,4 / 5,3)	30 (6,6 / 7,9)	25 (5,5 / 6,6)
	dust	l (UKgal /USgal)	15 (3,3 / 4,0)	26 (5,7 / 6,9)	21 (4,6 / 5,5)
	water	l (UKgal /USgal)	12 (2,6 / 3,2)	23 (5,1 / 6,1)	18 (4,0 / 4,8)
Width	mm	395	395	395	
Depth	mm	390	390	375	
Height	mm	505	635	530	
Weight incl. accessories (net, most common application)	kg	8.5	10.5	8	