

FS 55

STIHL



2 - 35

Instruction Manual



Contents

1	Guide to Using this Manual.....	2
2	Safety Precautions and Working Techniques.....	2
3	Approved Combinations of Cutting Attachment, Deflector, Handle and Harness.....	10
4	Mounting the Bike Handle.....	11
5	Mounting the Loop Handle.....	13
6	Fitting the Carrying Ring.....	14
7	Mounting the Deflector.....	15
8	Mounting the Cutting Attachment.....	16
9	Fuel.....	19
10	Fueling.....	20
11	Fitting the Harness.....	20
12	Balancing the Machine.....	21
13	Starting / Stopping the Engine.....	22
14	Transporting the Unit.....	25
15	Operating Instructions.....	26
16	Cleaning the Air Filter.....	26
17	Adjusting the Carburetor.....	27
18	Spark Plug.....	29
19	Engine Running Behavior.....	29
20	Storing the Machine.....	29
21	Sharpening Metal Cutting Blades.....	30
22	Maintaining the Mowing Head.....	30
23	Inspections and Maintenance by Dealer...	31
24	Maintenance and Care.....	32
25	Main Parts.....	33
26	Specifications.....	33
27	Maintenance and Repairs.....	34
28	Disposal.....	35
29	EC Declaration of Conformity.....	35

1 Guide to Using this Manual

1.1 Pictograms

The meanings of the pictograms attached to the machine are explained in this manual.

Depending on the model concerned, the following pictograms may be attached to your machine.



Fuel tank; fuel mixture of gasoline and engine oil



Operate decompression valve



Manual fuel pump



Operate manual fuel pump



Tube of grease



Intake air: Summer operation



Intake air: Winter operation



Handle heating

1.2 Symbols in text



WARNING

Warning where there is a risk of an accident or personal injury or serious damage to property.

NOTICE

Caution where there is a risk of damaging the machine or its individual components.

1.3 Engineering improvements

STIHL's philosophy is to continually improve all of its products. For this reason we may modify the design, engineering and appearance of our products periodically.

Therefore, some changes, modifications and improvements may not be covered in this manual.

2 Safety Precautions and Working Techniques



Because the machine is a high-speed fast-cutting power tool, special safety precautions must be observed to reduce the risk of personal injury.



It is important that you read and understand the User Manual before commissioning and keep it in a safe place for future reference. Non-compliance with the User Manual may cause serious or even fatal injury.

Observe all applicable local safety regulations, e.g. by trade organizations, social insurance institutions, labor safety authorities etc.

If you have never used a power tool before: Have your dealer or other experienced user show you how to operate your machine – or attend a special course to learn how to operate it.

Minors should never be allowed to use the machine – except for apprentices over the age of 16 when working under supervision.

Children, animals and bystanders must remain at a distance.

When not using the machine, it must be laid down in such a way that it does not endanger anyone. Ensure that the machine cannot be used without authorization.

The user is responsible for accidents or risks involving third parties or their property.

Do not lend or rent your power tool without the User Manual. Be sure that anyone using it understands the information contained in this manual.

The use of machines that emit noise may be limited to certain hours of the day as specified by national and/or regional or local regulations.

Anyone operating the machine must be well rested, in good physical health and in good mental condition.

If you have any condition that might be aggravated by strenuous work, check with your doctor before operating a machine.

If you have a pacemaker: The ignition system of your machine produces an electromagnetic field of very low intensity. This field may interfere with some pacemakers. STIHL recommends that persons with pacemakers consult their physician and the pacemaker manufacturer to reduce any health risk.

Anyone who has consumed alcohol or drugs or medicines affecting their ability to react must not operate a power tool.

Depending on the cutting attachment fitted, use your power tool only for cutting grass, wild growth, shrubs, scrub, bushes, small diameter trees and similar materials.

The machine must not be used for any other purposes – **risk of accidents!**

Only use cutting attachments and accessories that are explicitly approved for this power tool model by STIHL or are technically identical. If you have any questions in this respect, consult your dealer. Use only high quality parts and accessories. In order to avoid the risk of accidents and damage to the machine.

STIHL recommends the use of original STIHL tools and accessories. They are specifically

designed to match the product and meet your performance requirements.

Never attempt to modify your power tool in any way since this may increase the risk of personal injury. STIHL excludes all liability for personal injury and damage to property caused while using unauthorized attachments.

Do not use a high-pressure washer to clean the power tool. The solid jet of water may damage parts of the unit.

The guard provided with your machine may not protect the operator from all foreign objects (gravel, glass, wire etc.) ejected by the revolving cutting attachment. Ejected objects may also ricochet and strike the operator.

2.1 Clothing and equipment

Wear proper protective clothing and equipment.



Clothing must be sturdy but allow complete freedom of movement. Wear close-fitting clothes such as a boiler suit, not a loose jacket.



Do not wear clothing which could become trapped in wood, brush or moving parts of the machine. Do not wear a scarf, necktie or jewelry. Tie up and confine long hair above your shoulders.



Wear safety boots with steel toe caps and non-slip soles.

Sturdy shoes with non-slip shoes are permissible only when using mowing heads.



WARNING



To reduce the risk of eye injuries, wear close-fitting safety glasses in accordance with European Standard EN 166. Make sure the safety glasses are a snug fit.

Wear face protection and make sure it is a good fit. Face protection alone is not sufficient to protect the eyes.

Wear "personal" sound protection, e.g. ear defenders.

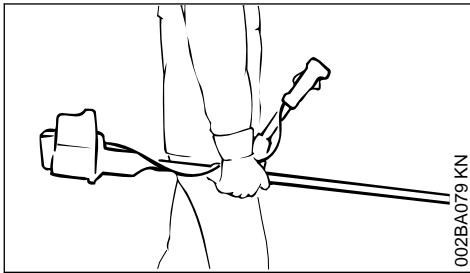
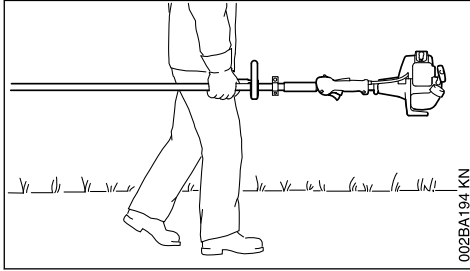
Wear a safety hard hat for thinning operations, when working in high scrub and where there is a danger of head injuries from falling objects.



Wear sturdy protective gloves made of a resistant material (e. g. leather).

STIHL can supply a comprehensive range of personal protective equipment.

2.2 Transporting the machine



Always stop the engine.

Carry the machine hanging on the harness or by the shaft so that it is balanced.

To reduce the risk of cut injuries, fit transport guard on the cutting attachment, even when carrying the tool for short distances – see also "Transporting the Unit".



Avoid touching hot parts of the machine and gearbox – **risk of burns!**

By vehicle: When transporting in a vehicle, properly secure your machine to prevent turnover, damage and fuel spillage.

2.3 Refueling



Gasoline is an extremely flammable fuel. Keep clear of naked flames. Do not spill any fuel – do not smoke.

Always shut off the engine before refueling.

Do not fuel a hot engine – **fuel may spill and cause a fire.**

Open the fuel cap carefully to allow any pressure build-up in the tank to release slowly and avoid fuel spillage.

Only refuel the machine in a well ventilated place. If fuel has been spilled, immediately clean the machine – do not allow your clothes to be splashed with fuel. If that happens, change your clothes at once.



After refueling, close the fuel cap as tightly as possible.

This helps reduce the risk of unit vibrations causing an incorrectly tightened fuel cap to loosen or come off and spill quantities of fuel.

Check for leaks. Do not start the engine if there is a fuel leak – **serious or fatal burns could result!**

2.4 Before starting

Check that your power tool is properly assembled and in good condition – refer to appropriate chapters in the User Manual.

- Check the fuel system for leaks, especially the visible parts, e. g., fuel cap, hose connections, manual fuel pump (only in machines with a manual fuel pump). In case of leakage and damage, do not start the engine – **risk of fire!** Have the machine serviced by a dealer before using it
- Use only an approved combination of cutting attachment, deflector, handle and harness. All parts must be assembled properly and securely
- Slide control / stop switch must move easily to **STOP** or **0**
- Throttle trigger lockout (if installed) and throttle trigger must move easily – the throttle trigger must return to the idle position automatically
- Check that the spark plug boot is secure – a loose boot may cause sparking that could ignite combustible fumes **and cause a fire!**
- Cutting attachment or interchangeable attachment: correctly fitted, secure and in perfect condition
- Safety devices (e. g., deflector for cutting attachments, rider plate) for damage and/or wear. Always replace damaged parts. Do not use the machine with a damaged deflector or worn rider plate (if the writing and arrows are no longer discernible)
- Never attempt to modify the controls or safety devices
- Keep the handles dry and clean – free from oil and dirt – this is important for safe control of the machine

- Adjust the harness and handle(s) to suit your height and reach. Observe the chapter "Fitting the Harness" – "Balancing the machine"

To reduce the risk of personal injury, do not operate your power tool if it is damaged or not properly assembled!

To prepare for emergencies when using a harness: Practice setting down the machine quickly. To avoid damage, do not throw the unit to the ground when practicing.

2.5 Starting the engine

Start the engine at least 3 meters from the fueling spot, outdoors only.

Place the unit on firm ground in an open area. Make sure you have good balance and secure footing. Hold the unit securely. The cutting attachment must be clear of the ground and all other obstructions because it may begin to run when the engine starts.

This is a one-person machine – ensure that there is no-one within 15 meters of the machine, not even when starting the power tool! **Risk of injury** due to ejected objects!



Avoid contact with the cutting attachment – **risk of injury!**



Do not drop-start the power tool – start the engine as described in the User Manual. The cutting attachment runs on for a short while after releasing the throttle trigger – **coasting effect!**

Check engine idling: The cutting attachment must remain at a standstill when the engine idles – throttle trigger released.

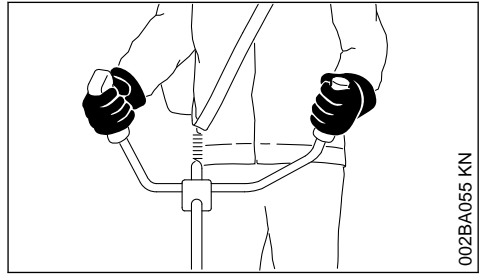
Keep easily combustible materials (e. g., wood chips, bark, dry grass, fuel) away from hot exhaust gases and hot muffler surfaces – **risk of fire!**

2.6 Holding and guiding the machine

Always hold the unit firmly with both hands on the handles.

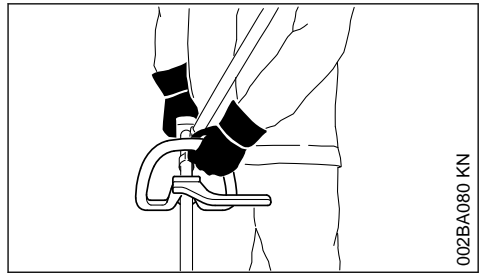
Make sure you always have good balance and secure footing.

2.6.1 For versions with bike handle



Right hand on control handle, left hand on grip on handlebar.

2.6.2 For versions with loop handle



For versions with loop handle and loop handle with barrier bar, left hand on the loop handle, right hand on the control handle – even if you are left-handed.

2.7 While working

Make sure you always have good balance and secure footing.

In the event of impending danger or in an emergency, switch off the engine immediately - move the slide control/stop switch to **STOP** or **0**.



Within a wide area around the workplace, there is a risk of accident by ejected objects, therefore ensure that there is no-one within a 15 m radius of the machine. This distance must also be maintained in relation to objects (vehicles, window panes) – **risk of property damage!** Even at a distance over 15 m, danger cannot be ruled out.

Check that the engine is properly idling so that the cutting tool will not continue rotating after you release the throttle trigger.

Check and correct the idle speed setting at regular intervals. If the cutting attachment still rotates at idle speed, have your dealer make proper

adjustments or repairs. STIHL recommends you have this work done by a STIHL servicing dealer.

Take special care in slippery conditions – **damp, snow, ice**, on slopes or uneven ground.

Watch out for obstacles: tree stumps, roots – **risk of tripping or stumbling!**

Only work while standing on the ground, never on a ladder or mobile elevated work platform.

Be particularly alert and cautious when wearing hearing protection because your ability to hear warnings (shouts, alarms, etc.) is restricted.

Take breaks when you start getting tired or feeling fatigue – **risk of accidents!**

Work calmly and carefully – in daylight conditions and only when visibility is good. Proceed with caution, do not put others in danger.



As soon as the engine is running, the power machine generates toxic exhaust gas. As soon as the engine is running, the power machine generates toxic exhaust gas. These gases may be odorless and invisible and may contain unburned hydrocarbons and benzene. Never run the engine indoors or in poorly ventilated locations, even if your model is equipped with a catalytic converter.

To reduce the risk of **serious or fatal injury from breathing toxic fumes**, ensure proper ventilation when working in trenches, hollows or other confined locations.

Stop work immediately if you start suffering from nausea, headaches, impaired vision (e.g. your field of vision gets smaller), impaired hearing, dizziness, or impaired concentration – these symptoms may possibly be the result of too-high exhaust gas concentration – **Risk of accidents!**

Operate your power tool so that it produces a minimum of noise and emissions – do not run the engine unnecessarily, accelerate the engine only when working.

To reduce the risk of fire, do not smoke while operating or standing near your power tool. Combustible fuel vapor may escape from the fuel system.

Dust, fumes and smoke produced while working may be hazardous to health. Wear respiratory protection in case of heavy dust or smoke emission.

If your power tool is subjected to unusually high loads for which it was not designed (e.g. heavy

impact or a fall), always check that it is in good condition before continuing work – see also "Before Starting".

Check in particular that the fuel system has no leaks and the safety equipment is fully operative. Never use a power tool that is no longer safe to operate. In case of doubt, contact a dealer.

Do not operate your power tool in the starting throttle position – engine speed cannot be controlled in this position.



To reduce the risk of injury from ejected objects, never operate the unit without the proper deflector for the type of cutting attachment being used.



Check the work site – rocks, metal objects etc. may be caught up and ejected – possibly over a distance of 15 m – **risk of injury!** – They can also damage the cutting attachment and other property (e. g. parking vehicles, windows).



Be particularly careful when working on difficult, densely grown terrain.

When mowing in high shrubbery, under shrubbery and hedges: Hold the cutting tool at a working height of at least 15 cm – avoid risks to animals.

Always shut off the engine before leaving the unit unattended.

Examine the cutting attachment periodically at short intervals and as soon as you note any noticeable changes:

- Stop the engine, hold the machine securely, allow the cutting attachment to come to a stop
- Check condition and secure fitting; watch out for cracks
- Ensure that the cutting blades are sharp
- Replace damaged or blunt cutting attachments immediately, even in the event of minor hair-line cracks

Clean grass and plant residue off the cutting attachment mounting at regular intervals – remove any accumulated material from the cutting attachment and deflector.

To reduce the risk of injury, shut off the engine before replacing the cutting attachment.



The gearbox gets hot during operation. Never touch the gearbox – **risk of burns!**

If a rotating cutting attachment touches a rock or another hard object, sparks can be generated which may possibly ignite combustible materials. Also dried-out plants and brushwood are combustible, above all in hot and dry weather. If there is a risk of fire, do not use cutting attachments in the vicinity of combustible materials, dried-out plants or brushwood. It is mandatory that you ask the responsible forestry office about current fire hazards.

2.8 Using mowing heads

Extend the cutting attachment deflector with the attached parts specified in the User Manual.

Only use a deflector with a properly fitted blade that limits the mowing line to the permissible length.

For manually adjustable mowing heads, always switch off the engine before adjusting the mowing line – **risk of injury!**

Misuse with mowing lines that are too long reduces the working speed of the engine. The constant slipping of the clutch causes overheating and damage to important components (e. g. clutch, plastic housing parts) – e. g. due to the cutting attachment rotating during idling – **risk of injury!**

2.9 When using metal cutting attachments

STIHL recommends the use of original STIHL metal cutting attachments. These have been optimized for the machine and the user's requirements.

Metal cutting attachments rotate very fast, generating forces acting on the attachments and on the cuttings.

Metal cutting attachments must be sharpened in regular intervals in accordance with the instructions.

Unevenly sharpened metal cutting attachments generate an imbalance which may cause extreme loads on the machine – **risk of breakage!**

Dull or improperly sharpened cutting edges can put a higher load on the cutting attachment and increase the **risk of injury** from cracked or broken parts.

After each contact of the metal cutting attachment with hard objects (e.g. stones, rocks, metal parts), check it for damage (e.g. tears and defor-

mation). **To reduce the risk of injury**, remove burrs and other visible accumulated material because they may become detached and ejected at high speed during operation.

Do not continue using or attempt to repair damaged or cracked cutting attachments by means of welding, straightening or modifying the shape (unbalanced).

Particles or pieces may come off and hit the operator or a bystander at a high speed – **risk of most severe injuries!**

To reduce the above-named risks involved in operating a metal cutting attachment, ensure that the diameter of your metal cutting attachment is not too big. Also, the attachment must not be too heavy. It must be made of high-quality materials and have a suitable geometry (shape, thickness).

A metal cutting attachment not made by STIHL must not have a different weight, thickness, shape or a larger diameter than the largest STIHL metal cutting attachment approved for this metal cutting attachment – **risk of injury!**

2.10 Vibrations

Prolonged use of the power tool may result in vibration-induced circulation problems in the hands (whitefinger disease).

No general recommendation can be given for the length of usage because it depends on several factors.

The period of usage is prolonged by:

- Hand protection (wearing warm gloves)
- Work breaks

The period of usage is shortened by:

- Any personal tendency to suffer from poor circulation (symptoms: frequently cold fingers, tingling sensations).
- Low outside temperatures.
- The force with which the handles are held (a tight grip restricts circulation).

Continual and regular users should monitor closely the condition of their hands and fingers. If any of the above symptoms appear (e.g. tingling sensation in fingers), seek medical advice.

2.11 Maintenance and Repairs

Service the machine regularly. Do not attempt any maintenance or repair work not described in the instruction manual. Have all other work performed by a servicing dealer.

STIHL recommends that you have servicing and repair work carried out exclusively by an authorized STIHL servicing dealer. STIHL dealers are regularly given the opportunity to attend training courses and are supplied with the necessary technical information.

Only use high-quality replacement parts in order to avoid the risk of accidents and damage to the machine. If you have any questions in this respect, consult a servicing dealer.

STIHL recommends the use of original STIHL replacement parts. They are specifically designed to match your model and meet your performance requirements.

To reduce the risk of injury, **always shut off the engine** before carrying out any maintenance or repairs or cleaning the machine. – Exception: Carburetor and idle speed adjustments.

Do not turn the engine over on the starter with the spark plug boot or spark plug removed unless the slide control / stop switch is on **STOP** or **0** since there is otherwise a **risk of fire** from uncontained sparking.

To reduce the **risk of fire**, do not service or store your machine near open flames.

Check the fuel filler cap for leaks at regular intervals.

Use only a spark plug of the type approved by STIHL and make sure it is in good condition – see "Specifications".

Inspect the ignition lead (insulation in good condition, secure connection).

Check the condition of the muffler.

To reduce the **risk of fire and damage to hearing**, do not operate your machine if the muffler is damaged or missing. –

Do not touch a hot muffler since **burn injury** will result.

2.12 Symbols on Deflectors

An **arrow** on the deflector shows the correct direction of rotation of the cutting attachments.

Some of the following symbols are applied to the outside of the deflector to indicate the approved combination of cutting tool and deflector.



Use deflector in combination with mowing heads only. Do not use metal cutting attachments.



Do not use deflector with brush knives or circular saw blades.

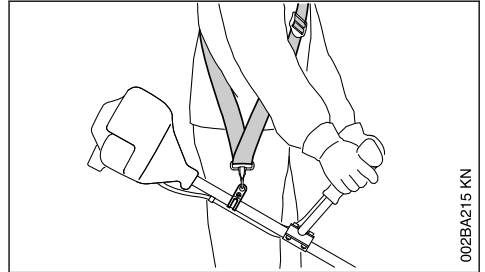


Do not use deflector with mowing heads.



Use deflector in combination with grass cutting blades only.

2.13 Shoulder strap

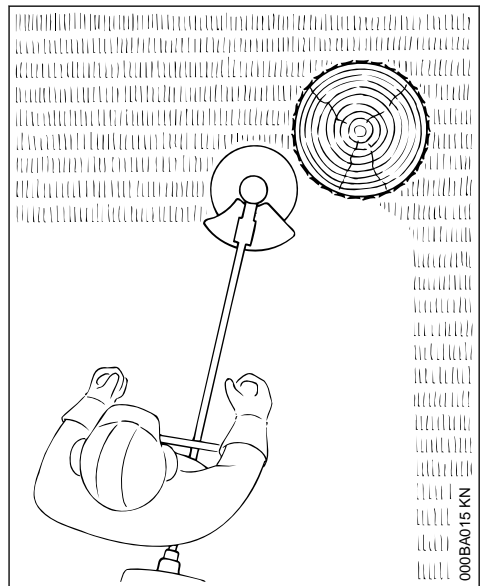


002BA215 KN

- ▶ Use a shoulder strap.
- ▶ With the engine running, attach the machine to the shoulder strap.

Grass cutting blades must always be used in combination with a shoulder strap.

2.14 Mowing Head with Nylon Line



000BA015 KN

Nylon line achieves a soft cut for edging and trimming around trees, fence posts, etc. – less risk of damaging tree bark.

The mowing head comes with an instruction leaflet. Refill the mowing head with nylon line as described in the instruction leaflet.

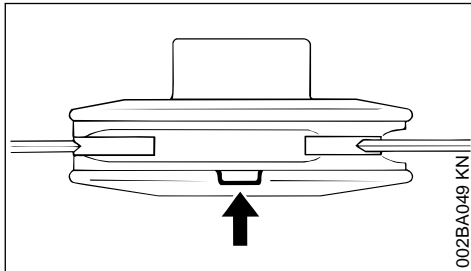
! WARNING

To reduce the risk of serious injury, never use wire or metal-reinforced line in place of the nylon line.

2.15 STIHL Polycut Mowing Head with Polymer Blades

For mowing unobstructed edges of meadows (without posts, fences, trees or similar obstacles).

Check the wear limit marks!



If one of the wear limit marks on the PolyCut mowing head is worn through (arrow): Do not continue using the mowing head. Install a new one. There is otherwise a **risk of injury** from thrown parts of the head.

It is important to follow the maintenance instructions for the PolyCut mowing head.

The PolyCut can also be equipped with mowing line in place of the polymer blades.

The mowing head comes with instruction leaflets. Equip the mowing head with polymers blades or nylon line as described in the instruction leaflets.

! WARNING

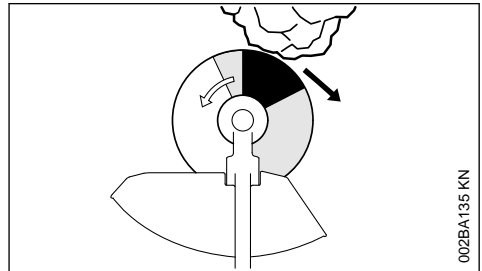
Never use wire in place of the nylon mowing line – **risk of injury**.

2.16 Risk of Kickout (Blade Thrust) with Metal Cutting Attachments

! WARNING

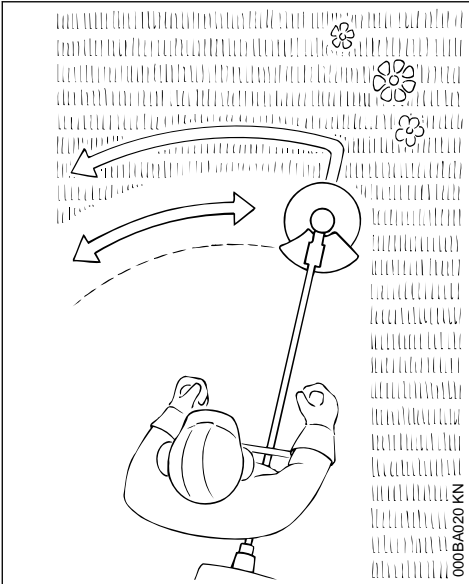


When using metal cutting attachments there is a risk of kickout when the rotating blade comes into contact with a solid object such as a tree trunk, branch, tree stump, rock or similar. The machine is thrown to the right or to the rear – opposite to the attachment's direction of rotation.



The **risk of kickout is greatest** when the **black area** of the rotating cutting attachment comes into contact with a solid object.

2.17 Grass Cutting Blade



Use for grass and weeds only – sweep the brushcutter in an arc like a scythe.

! WARNING

Improper use may damage the grass cutting blade – **risk of injury** from thrown parts.

Resharpener the grass cutting blade according to instructions when it has dulled noticeably.

3 Approved Combinations of Cutting Attachment, Deflector, Handle and Harness

Cutting attachment	Deflector	Handle	Carrying strap

3.1 Permissible combinations

Choose the correct combination from the table depending on the cutting tool!

! WARNING

For safety reasons only the cutting attachments, deflector, handle and harness versions within one line of the table may be combined with one another. No other combinations are permitted because of the **risk of accidents!**

3.2 Cutting attachments

3.2.1 Mowing heads

- 1 STIHL SuperCut 20-2
- 2 STIHL AutoCut C 25-2
- 3 STIHL AutoCut 25-2 / AutoCut 27-2
- 4 STIHL AutoCut C 26-2
- 5 STIHL FixCut 31-2
- 6 STIHL TrimCut 31-2
- 7 STIHL TrimCut 32-2
- 8 STIHL DuroCut 20-2
- 9 STIHL PolyCut 20-3
- 10 STIHL PolyCut 28-2

3.2.2 Metal cutting tools

- 11 Grass cutting blade 230-2
(230 mm dia.)
- 12 Grass cutting blade 230-4
(230 mm dia.)
- 13 Grass cutting blade 230-8
(230 mm dia.)

! WARNING

Grass cutting blades of materials other than metal must not be used.

3.3 Deflectors

- 14 Deflector for mowing heads
- 15 Deflector for metal cutting attachments

3.4 Handles

- 16 Loop handle
- 17 Loop handle with
- 18 Barrier bar
- 19 Bike handle

3.5 Shoulder straps

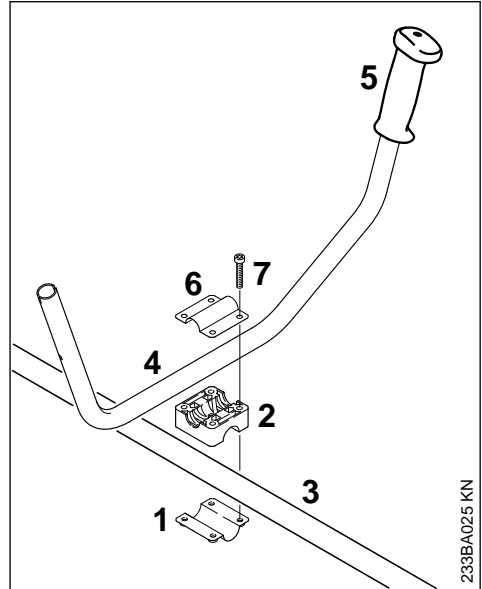
- 20 Shoulder strap can be used

21 Shoulder strap must be used

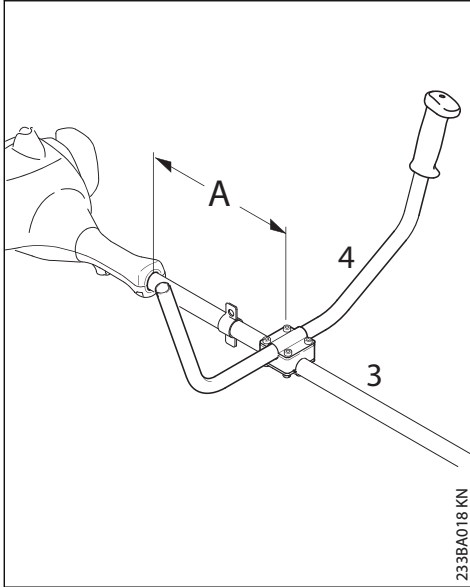
22 Full harness can be used

4 Mounting the Bike Handle

4.1 Mounting the Handlebar

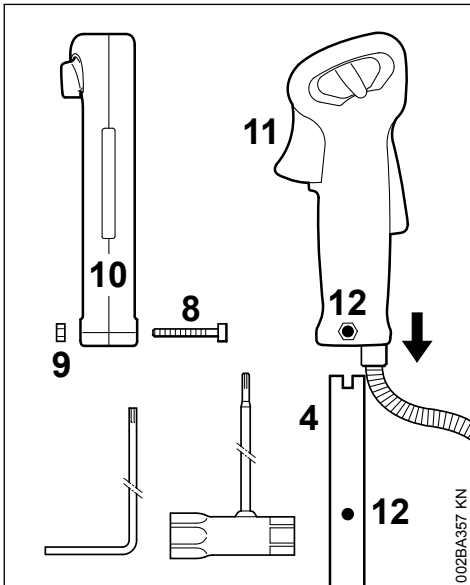


- ▶ Position the clamp (1) and handlebar support (2) on the shaft (3)
- ▶ Place the handlebar (4) in the handlebar support – the rubber handle (5) must be on the left (viewing direction from engine to handlebar)
- ▶ Place the clamp (6) on the handlebar support
- ▶ Insert the screws (7) through the holes in the parts and screw them into the clamp (6) as far as they will go



- ▶ Fasten the handlebar (4) at a distance (A) of approx. 15 cm (6 in) ahead of the engine housing on the shaft (3)
- ▶ Line up the handlebar and tighten down the screws firmly

4.2 Mounting the Control Handle

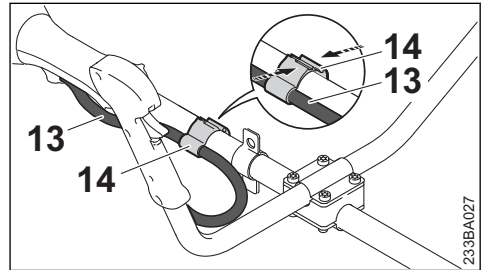


- ▶ Unscrew the bolt (8) with a combination wrench or hex key wrench – the nut (9) remains in the control handle (10)
- ▶ Push the control handle with the throttle trigger (11) facing toward the gearbox onto the handlebar (4) until the holes (12) align
- ▶ Insert and tighten screw (8)

4.3 Fastening the Throttle Cable

NOTICE

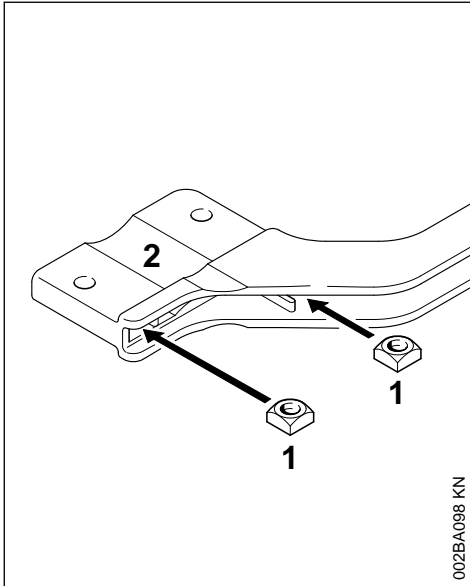
Do not kink the throttle cable or lay it in tight radii – make sure the throttle trigger moves freely.



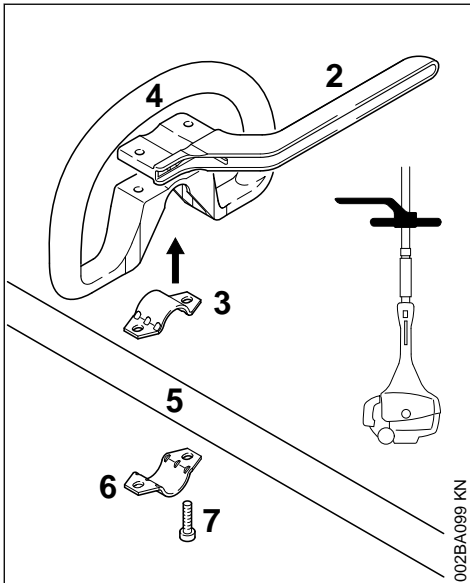
- ▶ Position the throttle cable retainer (14) and the throttle cable (13) on the shaft
- ▶ Squeeze the throttle cable retainer (14). The throttle cable retainer (14) engages in position with an audible click

5 Mounting the Loop Handle

5.1 Mounting Loop Handle with Barrier Bar



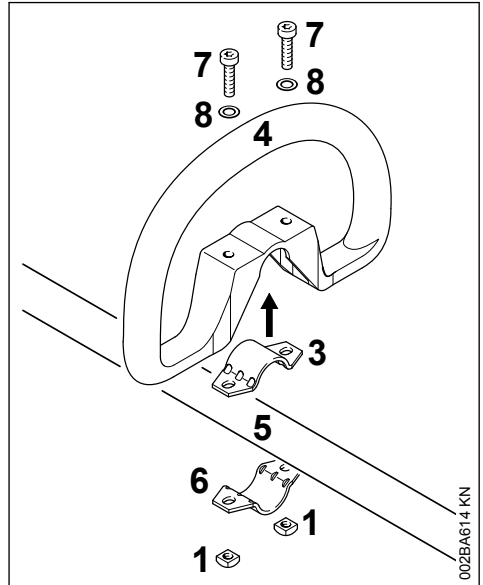
- ▶ Fit the square nuts (1) in the barrier bar (2); the holes must line up.



- ▶ Place the clamp (3) in the loop handle (4) and position them both against the drive tube (5).

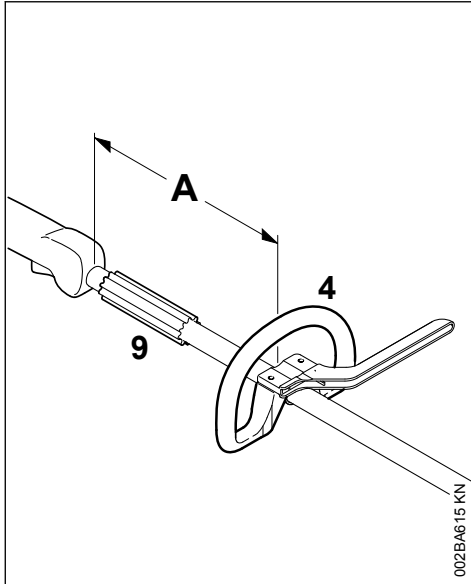
- ▶ Position the clamp (6) against the drive tube.
- ▶ Place the barrier bar (2) in position as shown.
- ▶ Line up the holes.
- ▶ Insert the screws (7) in the holes and screw them into the barrier bar (2) as far as stop.
- ▶ Go to "Securing the Loop Handle".

5.2 Mounting the Loop Handle without Barrier Bar



- ▶ Place the clamp (3) in the loop handle (4) and position them both against the drive tube (5).
- ▶ Position the clamp (6) against the drive tube.
- ▶ Line up the holes.
- ▶ Fit washers (8) on the screws (7) and insert the screws in the holes. Fit the square nuts (1) and screw them down as far as stop.
- ▶ Go to "Securing the Loop Handle".

5.3 Securing the Loop Handle



The loop handle can be adjusted to suit the height and reach of the operator and the application by changing distance (A).

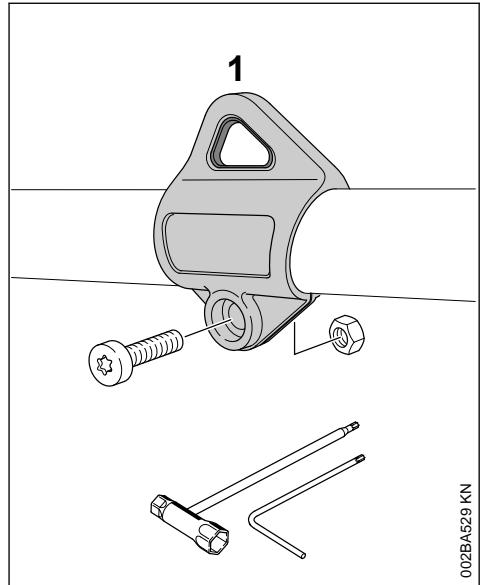
Recommendation: distance (A): about 20 cm (8 in)

- ▶ Slide the handle to the required position.
- ▶ Line up the loop handle (4).
- ▶ Tighten down the screws until the loop handle can no longer be rotated on the drive tube. If no barrier bar is fitted – lock the nuts if necessary.

The sleeve (9) (not fitted on all models) must be between the loop handle and the control handle.

6 Fitting the Carrying Ring

6.1 Polymer Version

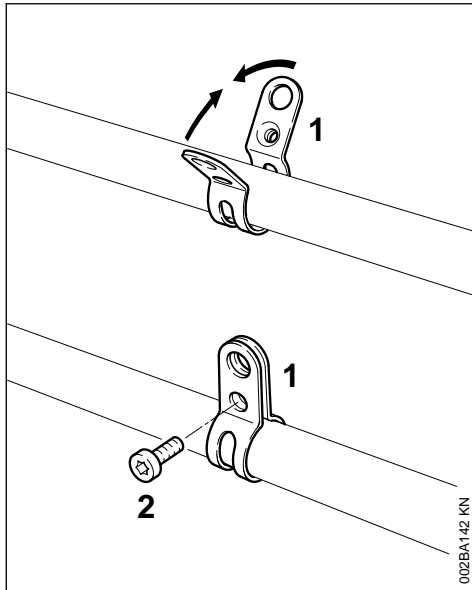


For position of carrying ring see "Main Parts".

- ▶ Push the carrying ring (1) over the drive tube.
- ▶ Insert the M5 nut in the hex recess in the carrying ring.
- ▶ Fit the M5x14 screw.
- ▶ Line up the carrying ring.
- ▶ Tighten down the screw firmly.

6.2 Metal Version

The carrying ring comes standard with the machine or is available as a special accessory.

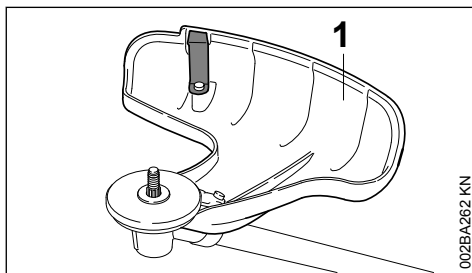


For position of carrying ring see "Main Parts".

- ▶ Place the clamp (1) against the drive tube **with the tapped hole on the left** (viewed from engine).
- ▶ Squeeze the two ends of the clamp together and hold in that position.
- ▶ Insert the M6x14 screw (2).
- ▶ Line up the carrying ring.
- ▶ Tighten down the screw firmly.

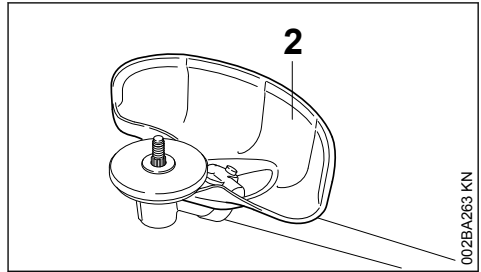
7 Mounting the Deflector

7.1 Use the right deflector



! WARNING

Deflector (1) is approved for mowing heads only and must therefore be mounted before fitting a mowing head

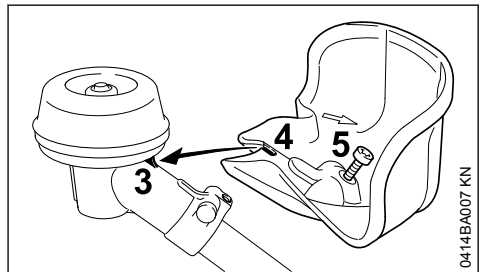


! WARNING

Deflector (2) is approved for grass cutting blades only and must therefore be mounted before fitting a grass cutting blade.

7.2 Mounting the deflector

Deflectors (1) and (2) are both mounted to the gearbox in the same way.

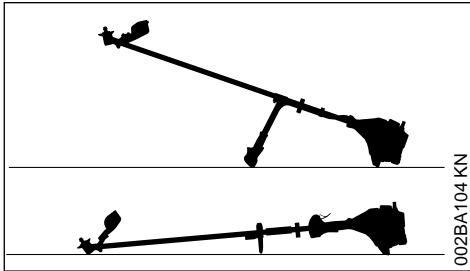


- ▶ Position the deflector against the gearbox so that the lug (3) engages the recess (4) in the deflector.
- ▶ Insert the screw (5) and tighten it down firmly.

On some versions the M5x14 screw is packed loose with the deflector.

8 Mounting the Cutting Attachment

8.1 Placing power tool on the ground



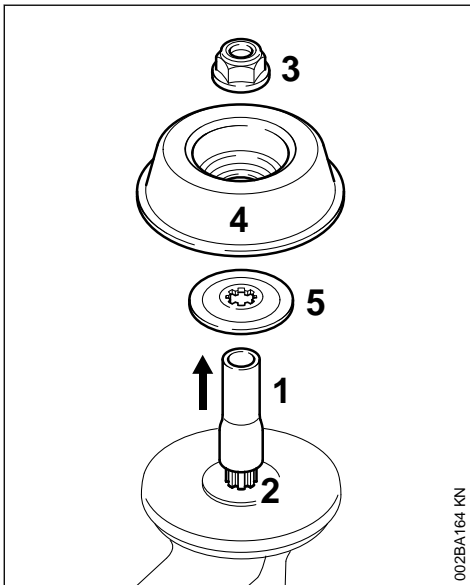
- ▶ Shut off the engine.
- ▶ Lay your power tool on its back so that the cutting attachment mounting face is pointing up.

8.2 Mounting Hardware for Cutting Attachments

The mounting hardware supplied depends on the cutting attachment that comes as original equipment with the new machine.

8.2.1 Machine supplied with mounting hardware

Mowing heads and metal cutting attachments may be mounted.



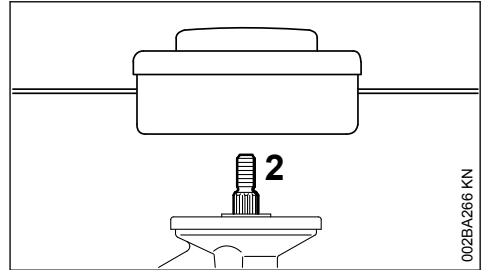
Depending on the cutting attachment, it may be necessary to use the nut (3), rider plate (4) and thrust washer (5).

These parts are included in a kit supplied with the machine and are also available as special accessories.

8.2.2 Removing the transport lock

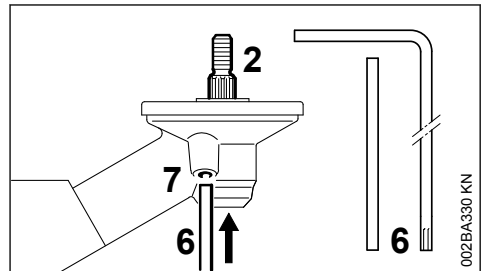
- ▶ Pull the hose (1) off the shaft (2).

8.2.3 Machine supplied without mounting hardware



Only mowing heads may be used which mount directly to the shaft (2).

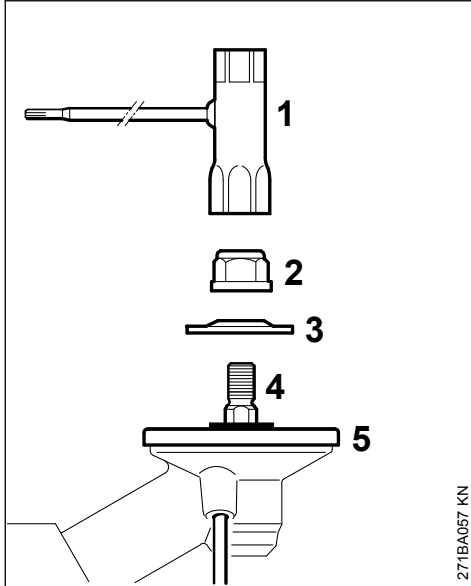
8.3 Blocking the Shaft



The output shaft (2) must be blocked with the stop pin (6) or screwdriver (6) to mount or remove cutting attachments. These parts come standard with the machine or are available as special accessories.

- ▶ Insert the stop pin (6) or screwdriver (6) in the hole (7) in the gearbox as far as stop – and apply slight pressure.
- ▶ Rotate shaft, nut or cutting attachment until the stop pin slips into position and blocks the shaft.

8.4 Removing the Mounting Hardware



- ▶ Block the shaft.
- ▶ Use the combination wrench (1) to loosen and remove the nut (2) clockwise (left-hand thread).
- ▶ Take the thrust washer (3) off the shaft (4). Do not remove the thrust plate (5).

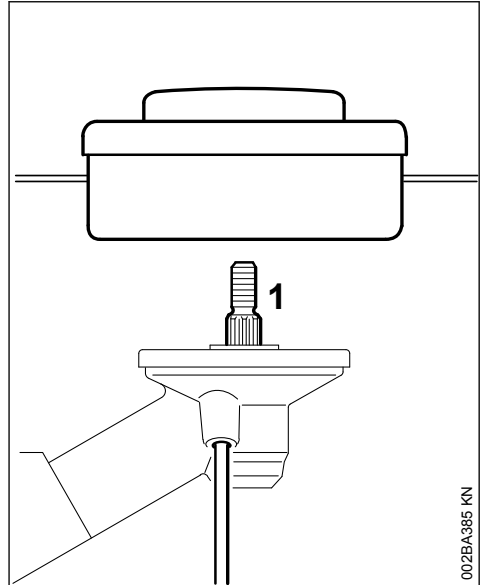
8.5 Mounting the Cutting Attachment



Use a deflector that matches the cutting attachment – see "Mounting the Deflector".

8.6 Fitting the mowing head with screw mounting

Keep the supplement sheet for the mowing head in a safe place.



- ▶ Fit the thrust plate
- ▶ Turn the mowing head anticlockwise on the shaft (1) as far as it will go
- ▶ Retain the shaft
- ▶ Tighten the mowing head

NOTICE

Remove the tool that was used to block the shaft.

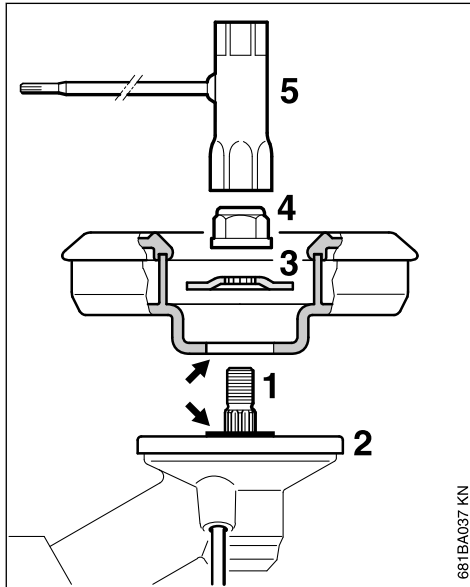
8.7 Removing the Mowing Head

- ▶ Retain the shaft
- ▶ Turn the mowing head clockwise

8.8 Fitting Mowing Head without Screw Mounting

Keep the instruction leaflet for the mowing head in a safe place.

8.8.1 STIHL FixCut 31-2



- ▶ Fit the thrust plate (2).
- ▶ Place the mowing head on the thrust plate (2).

! WARNING

Collar (see arrows) must engage the mowing head's mounting hole.

- ▶ Push the thrust washer (3) (convex side up) over the shaft (1) until it is seated on the base.
- ▶ Block the shaft.
- ▶ Use the combination wrench (5) to screw the mounting nut (4) onto the output shaft and it tighten down firmly.

! WARNING

If the mounting nut has become too loose, fit a new one.

NOTICE

Remove the tool used to block the shaft.

8.9 Removing the Mowing Head

- ▶ Block the shaft.
- ▶ Use the combination wrench to loosen and unscrew the mounting nut counterclockwise from the output shaft.

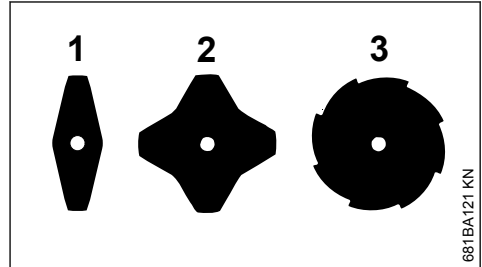
8.10 Mounting Metal Cutting Attachment

! WARNING

Wear protective gloves to reduce the risk of direct contact with the sharp cutting edges.

Mount only metal cutting attachments.

Check direction of rotation of cutting attachment

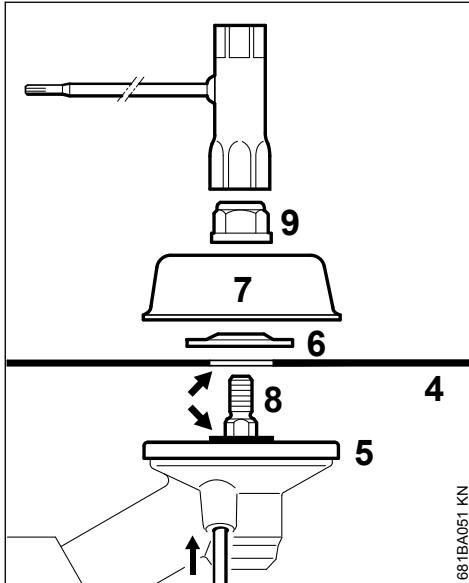


The cutting edges of the grass cutting blades (1) and (2) may point in either direction – these cutting attachments must be turned over regularly to reduce one-sided wear.

Cutting edges of grass cutting blade (3) must point clockwise.

! WARNING

Direction of rotation is indicated by an arrow on the inside of the deflector.



- ▶ Place the cutting attachment (4) on the thrust plate (5).

! WARNING

Collar (see arrow) must engage the cutting attachment's mounting hole.

Securing the cutting attachment

- ▶ Fit the thrust washer (6) – convex side must face up.
- ▶ Fit the rider plate (7).
- ▶ Block the shaft (8).
- ▶ Use the combination wrench (14) to screw the mounting nut (9) on to the output shaft counter-clockwise and tighten it down firmly.

! WARNING

If the mounting nut has become too loose, fit a new one.

NOTICE

Remove the tool used to block the shaft.

8.11 Removing the Metal Cutting Attachment

! WARNING

Wear protective gloves to reduce the risk of direct contact with the sharp cutting edges.

- ▶ Block the shaft.
- ▶ Unscrew the mounting nut clockwise.
- ▶ Remove cutting attachment and its mounting hardware from the gearbox – but **do not** remove the thrust plate (5).

9 Fuel

The engine requires a mixture of gasoline and engine oil.

! WARNING

Avoid direct skin contact with fuel and breathing in of gasoline fumes.

9.1 STIHL MotoMix

STIHL recommends using STIHL MotoMix. This pre-blended fuel is free of benzene and lead, is distinguished by a high octane rating, and always provides the proper mixing ratio.

STIHL MotoMix uses STIHL HP Ultra two-stroke engine oil for optimum engine life.

MotoMix is not available in all markets.

9.2 Mixing fuel

NOTICE

Unsuitable fuels or a mixing ratio that deviates from the specification can lead to severe engine damage. The engine, seals, fuel lines and fuel tank may be damaged if low-quality gasoline or engine oil is used.

9.2.1 Gasoline

Use only **high-quality gasoline** with an octane rating of at least 90 ROC – leaded or unleaded.

Gasoline with an alcohol component exceeding 10% can cause impaired engine performance in engines with manually adjustable carburetors and thus should not be used in these engines.

Engines with M-Tronic deliver full engine performance using gasoline with an alcohol component of up to 27% (E27).

9.2.2 Engine oil

If you mix the fuel yourself, use only STIHL two-stroke engine oil or another high-performance engine oil classified as JASO FB, JASO FC, JASO FD, ISO-L-EGB, ISO-L-EGC or ISO-L-EGD.

STIHL specifies STIHL HP Ultra two-stroke engine oil or an equivalent high-performance engine oil in order to maintain emission limits over the machine's service life.

9.2.3 Mixing ratio

with STIHL two-stroke engine oil 1:50; 1:50 = 1 part oil + 50 parts gasoline

9.2.4 Examples

Quantity of gasoline	STIHL two-stroke engine oil 1:50	
Liters	Liters	(ml)
1	0.02	(20)
5	0.10	(100)
10	0.20	(200)
15	0.30	(300)
20	0.40	(400)
25	0.50	(500)

- ▶ Pour oil into an approved safety fuel canister first, then add gasoline and mix thoroughly

9.3 Storing fuel mixture

Store in approved safety fuel canisters only in a dry, cool and secure place protected against light and sunlight.

Fuel mixture deteriorates with age – mix only as much as needed for a few weeks. Do not store fuel mixture for longer than 30 days. The fuel mixture can become unusable more quickly if exposed to light, sunlight or low or high temperatures.

STIHL MotoMix however can be stored for up to 5 years without any problems.

- ▶ Shake the canister containing the fuel mixture thoroughly before refueling

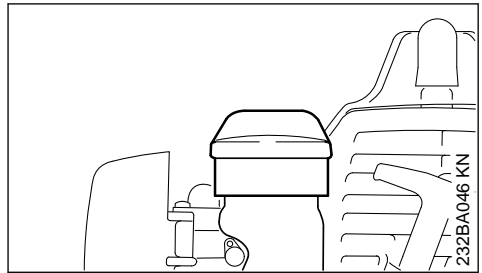
! WARNING

Pressure may have built up in the canister – open it carefully.

- ▶ The fuel tank and the canister in which fuel mixture is stored should be cleaned thoroughly from time to time

Residual fuel and the liquid used for cleaning must be disposed of in accordance with regulations and without harming the environment!

10 Fueling



- ▶ Before fueling, clean the filler cap and the area around it to ensure that no dirt falls into the tank.
- ▶ Position the machine so that the filler cap is facing up.
- ▶ Open the filler cap.

Take care not to spill fuel while fueling and do not overfill the tank. STIHL recommends you use the STIHL filler nozzle (special accessory).

! WARNING

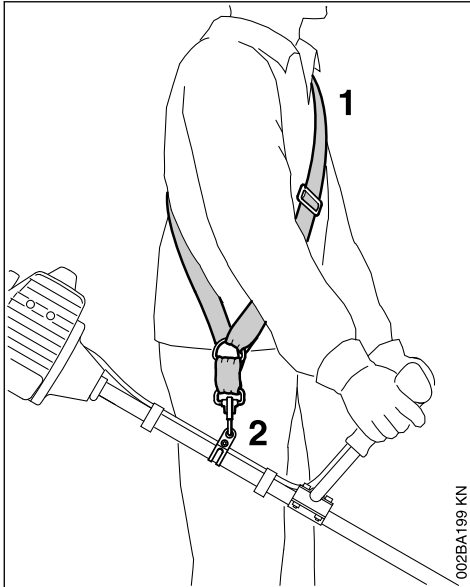
After fueling, tighten down the filler cap as securely as possible by hand.

11 Fitting the Harness

The type and style of the harness depend on the market.

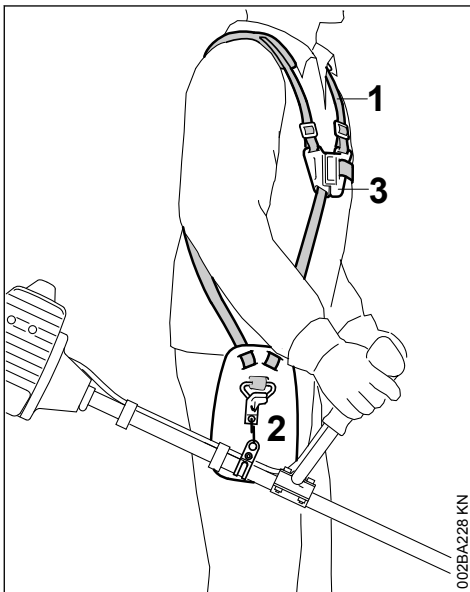
The use of the harness is described in the chapter on "Approved Combinations of Cutting Attachment, Deflector, Handle and Harness".

11.1 Shoulder strap



- ▶ Put on the shoulder strap (1).
- ▶ Adjust the length of the strap so that the carabiner (2) is about a hand's width below your right hip.
- ▶ Balance the machine.

11.2 Full Harness



- ▶ Put on the harness (1) and close the locking plate (3).
- ▶ Adjust the length of the strap – with the machine attached, the carabiner (2) must be about a hand's width below your right hip.
- ▶ Balance the machine – see "Balancing the Machine".

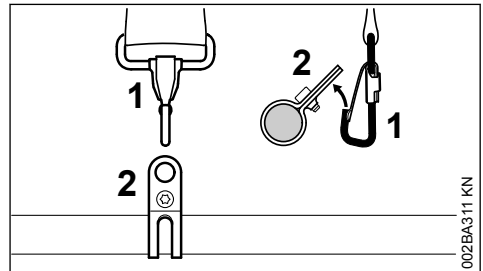
12 Balancing the Machine

The type and style of the harness and carabiner (spring hook) depend on the market.

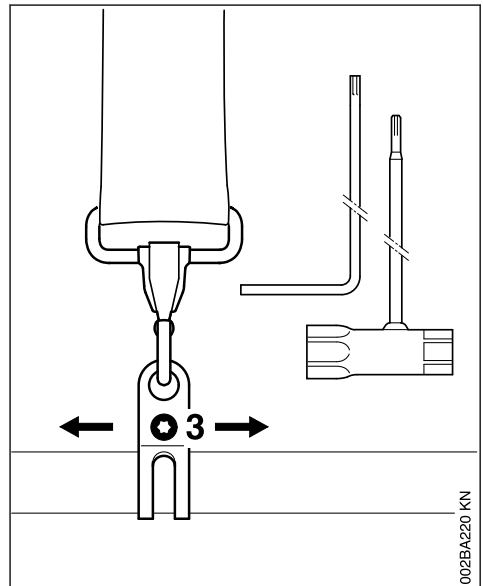
The carrying ring is integrated in the control handle on loop-handled units– see "Main Parts".

Loop-handled units do not need to be balanced.

12.1 Attaching the unit to the harness

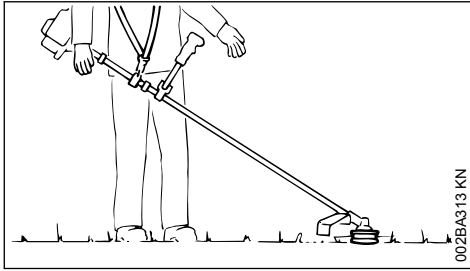


- ▶ Attach the carabiner (1) to the carrying ring (2) on the drive tube.



- ▶ Loosen the screw (3).

12.2 Floating position



- ▶ Mowing heads and grass cutting blades should just touch the ground.

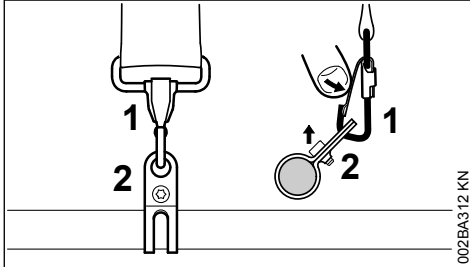
Proceed as follows to adjust the floating position:

- ▶ Move the carrying ring up or down the drive tube – tighten the screw moderately – let the unit go and wait until it is balanced – then check the floating position.

When the correct floating position has been reached:

- ▶ Tighten down the screw on the carrying ring firmly.

12.3 Detaching the unit from the harness

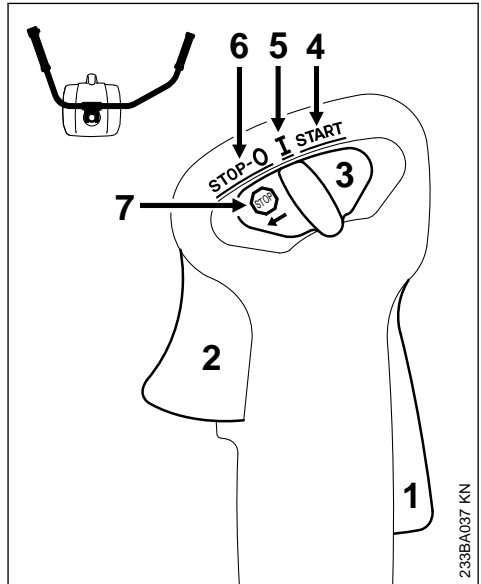


- ▶ Press down the bar on the carabiner (1) and pull the carrying ring (2) out of the carabiner.

13 Starting / Stopping the Engine

13.1 Version with bike handle

13.1.1 Controls



- 1 Throttle trigger lockout
- 2 Throttle trigger
- 3 Slide control

13.1.2 Positions of slide control

- 4 **START** – ignition is switched on – the engine can start
- 5 **I** – normal run position – the engine is running or can start
- 6 **STOP-0** – engine off – the ignition is switched off

13.1.3 Symbol on slide control

- 7 – stop symbol and arrow. To stop the engine, push the slide control in the direction of the arrow on the stop symbol () to **STOP-0**.

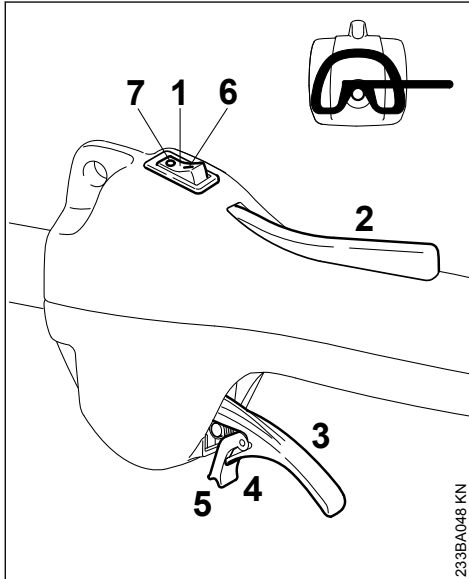
13.1.4 Starting

- ▶ Press down the trigger lockout lever and squeeze the throttle trigger
- ▶ and hold them in that position.
- ▶ Move the slide control to **START** and hold it there.

- ▶ Now release the throttle trigger, slide control and trigger lockout in that order. This is the **starting throttle position**.
- ▶ Go to "All versions".

13.2 Version with loop handle

13.2.1 Controls

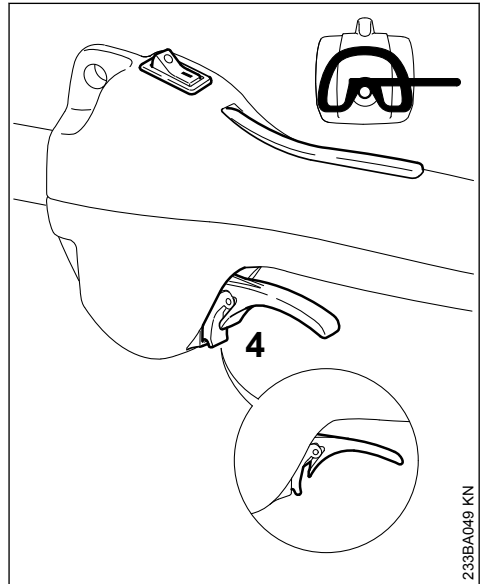


- 1 Stop switch
- 2 Throttle trigger lockout
- 3 Throttle trigger
- 4 Tongue of throttle trigger
- 5 Catch

Positions of stop switch

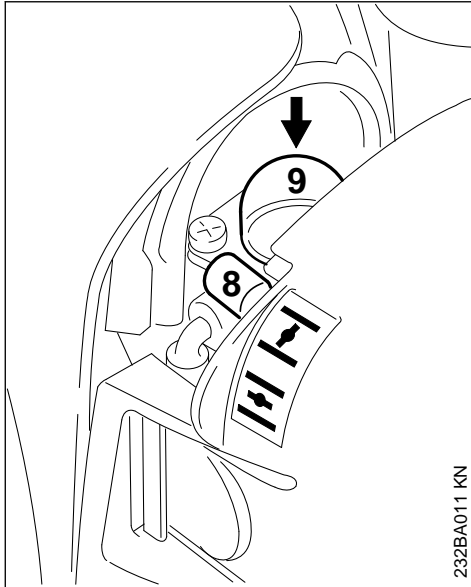
- 6 I – normal run position – the engine can start or is running
- 7 0 – Stop – engine off – the ignition is switched off

13.2.2 Starting

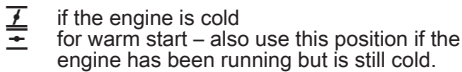


- ▶ Move the stop switch to I.
- ▶ Press down the throttle trigger lockout and hold it there.
- ▶ Squeeze the throttle trigger until the catch on the tongue (4) can be engaged on the housing.
- ▶ Now release the throttle trigger, tongue and trigger lockout in that order. This is the **starting throttle position**.
- ▶ Go to "All versions".

13.3 All models

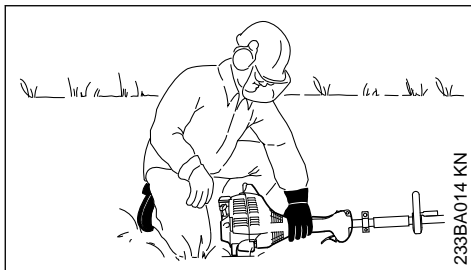
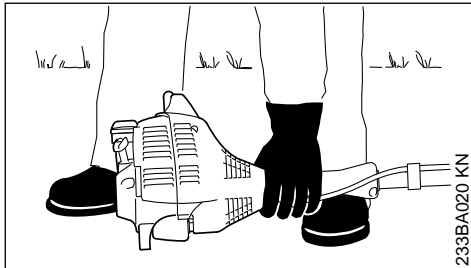


- ▶ Set the choke lever (8) to



- ▶ Press the manual fuel pump bulb (9) at least five times – even if the bulb is filled with fuel.

13.3.1 Cranking



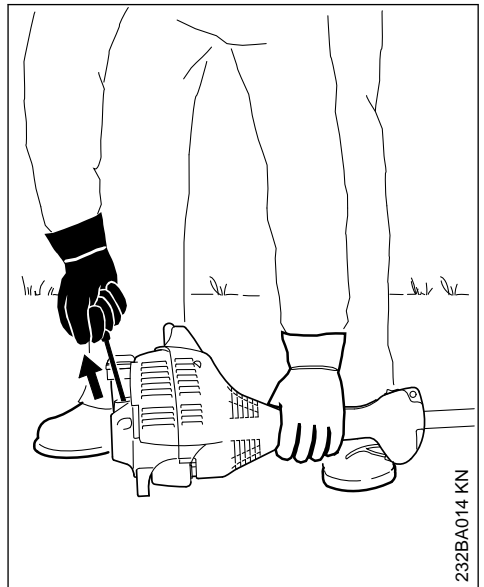
- ▶ Put the unit on the ground: It must rest securely on the engine support and the deflector.
- ▶ If fitted: Remove the transport guard from the cutting attachment.

To reduce the risk of accidents, check that the cutting attachment is not touching the ground of any other obstacles.

- ▶ Make sure you have a firm footing, either standing, stooping or kneeling.
- ▶ Hold the unit **firmly** on the ground with your left hand and press down – do not touch the throttle trigger, lockout lever or stop switch.

NOTICE

Do not stand or kneel on the drive tube.



- ▶ Hold the starter grip with your right hand.

13.3.2 Version without ErgoStart

- ▶ Pull the starter grip slowly until you feel it engage and then give it a brisk strong pull.

NOTICE

Do not pull out the starter rope all the way – it might otherwise break.

13.3.3 Version with ErgoStart

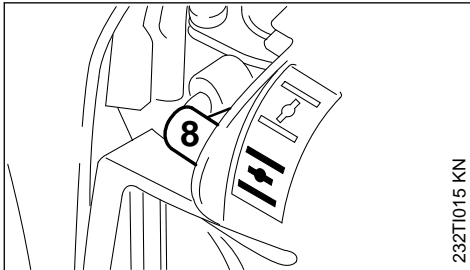
- ▶ Pull the starter grip slowly until you feel it engage and then pull it out slowly and steadily.

NOTICE

Do not pull out the starter rope all the way – it might otherwise break.

13.3.4 Both versions

- ▶ Do not let the starter grip snap back. Guide it slowly back into the housing so that the starter rope can rewind properly.
- ▶ Continue cranking.

13.3.5 When engine begins to fire

232T1015 KN

- ▶ After no more than **five** pulls, move the choke lever (8) to **I**.
- ▶ continue cranking.

13.3.6 As soon as the engine runs**Version with bike handle**

- ▶ Blip the throttle trigger – the engine settles down to idle speed.

Version with loop handle

- ▶ Squeeze the throttle trigger to disengage the tongue – the engine will settle down to idle speed.

Your machine is now ready for operation.

**WARNING**

Make sure the carburetor is correctly adjusted. The cutting attachment must not rotate when the engine is idling.

13.4 Stopping the Engine

- ▶ Move the slide control in direction of the arrow (☺) to **STOP-0** or the stop switch to **STOP / 0**.

13.5 If engine does not start**Choke lever**

If you did not move the choke lever to **II** quickly enough after the engine began to fire, the combustion chamber is flooded.

- ▶ Set the choke lever to **II**.
- ▶ Set the slide control, trigger lockout lever and throttle trigger to the **starting throttle position**.
- ▶ Start the engine by pulling the starter rope briskly – 10 to 20 pulls may be necessary.

13.5.1 If the engine still does not start

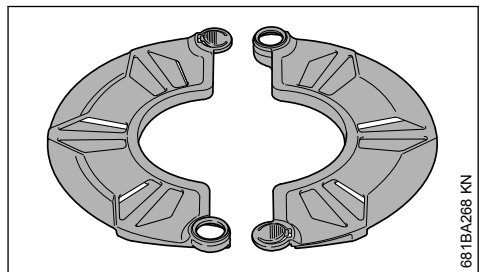
- ▶ Move the slide control or stop switch to **STOP / 0**.
- ▶ Remove the spark plug – see "Spark Plug".
- ▶ Dry the spark plug.
- ▶ Crank the engine several times with the starter to clear the combustion chamber.
- ▶ Refit the spark plug – see "Spark Plug".
- ▶ Move the slide control or stop switch to **I / I**.
- ▶ Set the choke lever to **II** – even if the engine is cold.
- ▶ Now start the engine.

13.5.2 Fuel tank run until completely dry

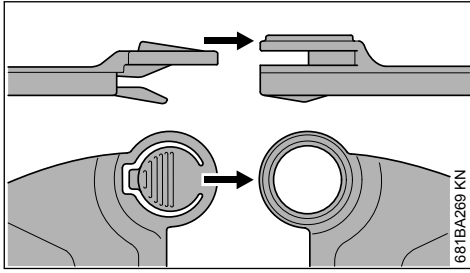
- ▶ After refueling, press the manual fuel pump bulb at least five times – even if the bulb is filled with fuel.
- ▶ Set the choke lever to suit the engine temperature.
- ▶ Now start the engine.

14 Transporting the Unit**14.1 Using transport guard**

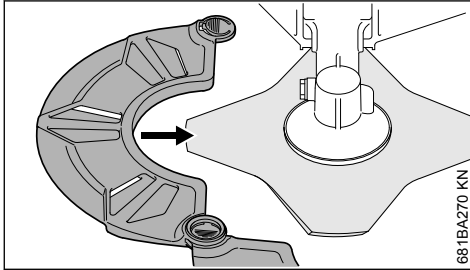
The type of transport guard depends on the metal cutting attachment supplied with the machine. Transport guards are available as special accessories.

14.1.1 230 mm Grass Cutting Blades

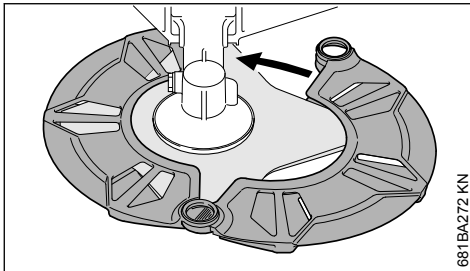
681BA268 KN



681BA269 KN



681BA270 KN



681BA272 KN

15 Operating Instructions

15.1 During break-in period

A factory-new machine should not be run at high revs (full throttle off load) for the first three tank fillings. This avoids unnecessary high loads during the break-in period. As all moving parts have to bed in during the break-in period, the frictional resistances in the engine are greater during this period. The engine develops its maximum power after about 5 to 15 tank fillings.

15.2 During Operation

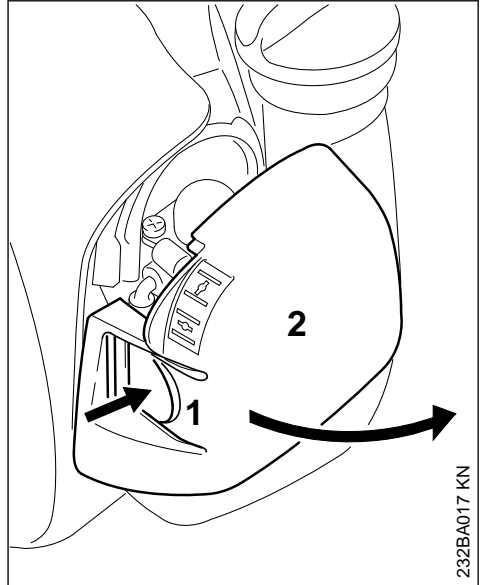
After a long period of full throttle operation, allow the engine to run for a short while at idle speed so that engine heat can be dissipated by the flow of cooling air. This protects engine-mounted components (ignition, carburetor) from thermal overload.

15.3 After Finishing Work

Storing for a short period: Wait for the engine to cool down. Empty the fuel tank and keep the machine in a dry place, well away from sources of ignition, until you need it again. For longer out-of-service periods – see "Storing the Machine".

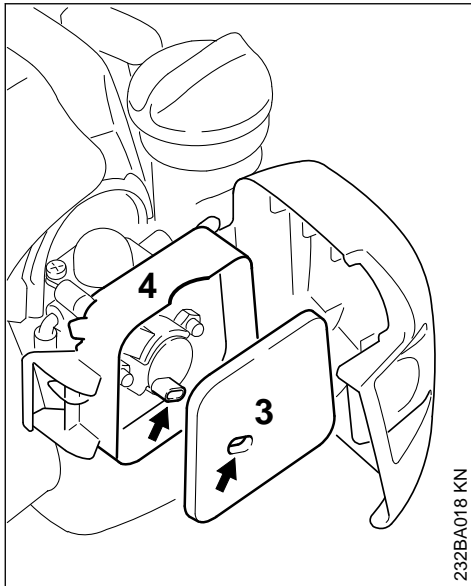
16 Cleaning the Air Filter

16.1 If there is a noticeable loss of engine power



232BA017 KN

- ▶ Set the choke lever to \bar{I} .
- ▶ Press in the tab (1) and swing the filter cover (2) down.
- ▶ Clean away loose dirt from around the filter.



232BA018 KN

- ▶ Remove the felt element (3) from the filter housing (4) and replace it – knock out or blow out as a temporary measure – do not wash.
- ▶ Replace damaged parts.
- ▶ Fit the felt element (3) in the filter housing (4).
- ▶ Close the filter cover so that it snaps into position.

17 Adjusting the Carburetor

17.1 General Information

The carburetor comes from the factory with a standard setting.

This setting provides an optimum fuel-air mixture under most operating conditions.

17.2 Preparations

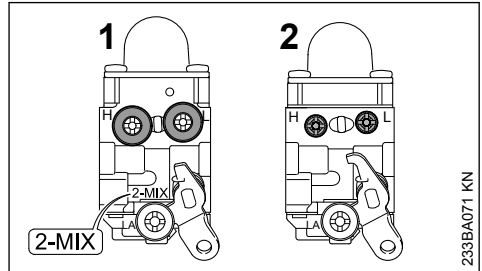
- ▶ Shut off the engine.
- ▶ Mount the cutting attachment.
- ▶ Check the air filter and clean or replace if necessary.
- ▶ Check the spark arresting screen (not in all models, country-specific) in the muffler and clean or replace if necessary.

17.3 Different Standard Settings

Different carburetors are installed at the factory. A different standard setting is necessary for each of these carburetors.

17.4 Identifying the Carburetor

- ▶ Use the following illustrations to identify the carburetor installed in your machine and then adjust the carburetor as described:



233BA071 KN

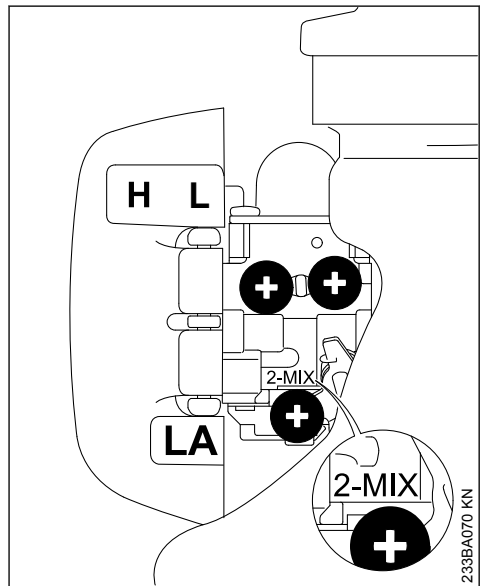
17.4.1 Carburetor 1

2-MIX carburetor with limiter caps on high speed screw (H) and low speed screw (L), and marked "2-MIX"

17.4.2 Carburetor 2

Carburetor without limiter caps on high speed screw (H) and low speed screw (L)

17.5 Standard Setting on Carburetor 1

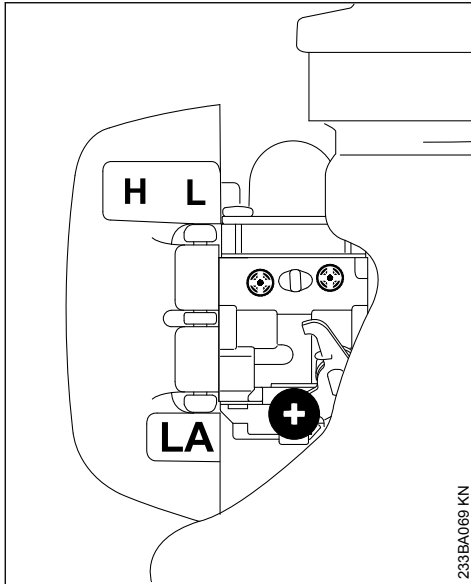


233BA070 KN

- ▶ Turn high speed screw (H) counterclockwise as far as stop (no more than 3/4 turn).

- ▶ Turn the low speed screw (L) carefully clockwise until it is against its seat, then turn it back 3/4 turn.

17.6 Standard Setting on Carburetor 2



- ▶ Turn the high speed screw (H) carefully clockwise until it is against its seat, then turn it back 2 full turns.
- ▶ Turn the low speed screw (L) carefully clockwise until it is against its seat, then turn it back 1 1/2 turns.

17.7 Adjusting Idle Speed

- ▶ Carry out the standard setting.
- ▶ Start and warm up the engine.

17.7.1 Engine stops while idling

- ▶ Turn the idle speed screw (LA) slowly clockwise until the engine runs smoothly – the cutting attachment must not rotate.

17.7.2 Cutting attachment rotates when engine is idling

- ▶ Turn the idle speed screw (LA) counterclockwise until the cutting attachment stops moving and then turn the screw another 1/2 to 1 full turn in the same direction.

! WARNING

If the cutting attachment continues to rotate when the engine is idling, have your machine checked and repaired by your servicing dealer.

17.7.3 Erratic idling behavior, poor acceleration (despite correction to setting of LA screw).

Idle setting is too lean

Carburetor 1

- ▶ Turn the low speed screw (L) carefully counterclockwise, no further than stop, until the engine runs smoothly and still accelerates satisfactorily.

Carburetor 2

- ▶ Rotate the low speed screw (L) slowly about 1/4 turn counterclockwise until the engine runs smoothly and still accelerates satisfactorily.

17.7.4 Erratic idling behavior

Idle setting is too rich

Carburetor 1

- ▶ Turn the low speed screw (L) slowly clockwise, no further than stop, until the engine runs smoothly and still accelerates satisfactorily.

Carburetor 2

- ▶ Rotate the low speed screw (L) slowly about 1/4 turn clockwise until the engine runs smoothly and still accelerates satisfactorily.

It is usually necessary to change the setting of the idle speed screw (LA) after every correction to the low speed screw (L).

17.8 Fine Tuning for Operation at High Altitude

A slight correction of the setting may be necessary if engine does not run satisfactorily:

Carburetor 1

- ▶ Carry out the standard setting.
- ▶ Warm up the engine.
- ▶ Turn high speed screw (H) slightly clockwise (leaner) – no further than stop.

Carburetor 2

- ▶ Carry out the standard setting.
- ▶ Warm up the engine.
- ▶ Turn high speed screw (H) slightly clockwise (leaner) – no more than a 3/4 turn.

NOTICE

After returning from high altitude, reset the carburetor to the standard setting.

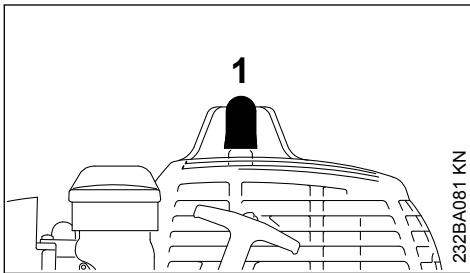
If the setting is too lean there is a risk of engine damage due to insufficient lubrication and overheating.

18 Spark Plug

- ▶ If the engine is down on power, difficult to start or runs poorly at idle speed, first check the spark plug.
- ▶ Fit a new spark plug after about 100 operating hours – or sooner if the electrodes are badly eroded. Install only suppressed spark plugs of the type approved by STIHL – see "Specifications".

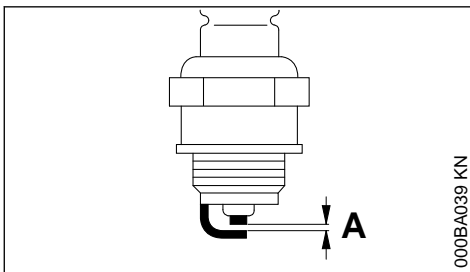
18.1 Removing the Spark Plug

- ▶ Move the stop switch to 0.



- ▶ Pull off the spark plug boot (1).
- ▶ Unscrew the spark plug.

18.2 Checking the Spark Plug

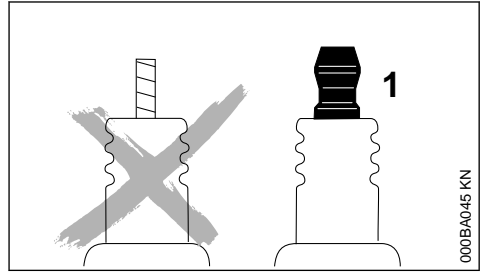


- ▶ Clean dirty spark plug.
- ▶ Check electrode gap (A) and readjust if necessary – see "Specifications".
- ▶ Rectify the problems which have caused fouling of the spark plug.

Possible causes are:

- Too much oil in fuel mix.

- Dirty air filter.
- Unfavorable running conditions.



! WARNING

Arcing may occur if the adapter nut (1) is loose or missing. Working in an easily combustible or explosive atmosphere may cause a fire or an explosion. This can result in serious injuries or damage to property.

- ▶ Use resistor type spark plugs with a properly tightened adapter nut.

18.3 Installing the spark plug

- ▶ Screw home the spark plug, fit the boot and press it down firmly.

19 Engine Running Behavior

If engine running behavior is unsatisfactory even though the air filter is clean and the carburetor is properly adjusted, the cause may be the muffler.

Have the muffler checked for contamination (carbonization) by your servicing dealer.

STIHL recommends that you have servicing and repair work carried out exclusively by an authorized STIHL servicing dealer.

20 Storing the Machine

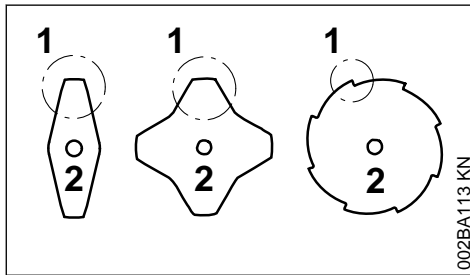
If out of use for periods of about 30 days or longer

- ▶ Drain and clean the fuel tank in a well ventilated area.
- ▶ Dispose of fuel properly in accordance with local environmental requirements.
- ▶ If a manual fuel pump is fitted: Press the manual fuel pump at least 5 times.
- ▶ Start the engine and run it at idling speed until it stops.
- ▶ Remove, clean and inspect the cutting attachment. Coat metal cutting attachments with corrosion inhibitor.
- ▶ Thoroughly clean the machine – pay special attention to the cylinder fins and air filter.

- ▶ Store the machine in a dry and secure location – out of the reach of children and other unauthorized persons.

21 Sharpening Metal Cutting Blades

- ▶ Use a sharpening file (special accessory) to sharpen dull cutting attachments. In case of more serious wear or nicks: Resharpener with a grinder or have the work done by a dealer – STIHL recommends a STIHL servicing dealer.
- ▶ Sharpen frequently, take away as little metal as possible – two or three strokes of the file are usually enough.



- ▶ Resharpener the teeth (1) uniformly – do not alter the contour of the parent blade (2) in any way.

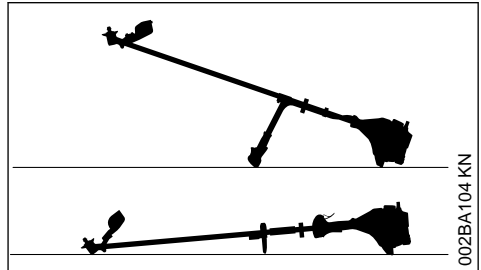
See cutting attachment packaging for additional sharpening instructions. Keep the packaging for future reference.

21.1 Balancing

- ▶ After resharpening about 5 times, check the cutting attachment for out-of-balance on a STIHL balancer (special accessory) or have it checked by a dealer and re-balanced as necessary – STIHL recommends a STIHL servicing dealer.

22 Maintaining the Mowing Head

22.1 Placing power tool on the ground



- ▶ Shut off the engine.
- ▶ Lay your power tool on its back so that the cutting attachment mounting face is pointing up.

22.2 Replacing Nylon Line

Always check the mowing head for signs of wear before replacing the nylon line.



If there are signs of serious wear, replace the complete mowing head.

The nylon mowing line is referred to as "nylon line" or "line" in the following.

The mowing head is supplied with illustrated instructions for replacing the nylon line. Keep the instructions for the mowing head in a safe place.

- ▶ If necessary, remove the mowing head.

22.3 Adjusting Nylon Line

STIHL SuperCut

Fresh line is advanced automatically if the remaining line is at least 6 cm (2 1/2 in) long. The blade on the deflector trims overlong lines to the correct length.

STIHL AutoCut

- ▶ With the engine running, hold the rotating mowing head above the grass surface.
- ▶ Tap it on the ground once – fresh line is advanced and the blade on the deflector trims it to the right length.

Fresh line is advanced every time the mowing head is tapped on the ground. For this reason observe the mowing head's cutting performance during operation. If the mowing head is tapped

on the ground too often, the line limiting blade will unnecessarily cut off unused lengths of nylon line.

Line feed operates only if both lines are still at least 2.5 cm (1 in) long.

STIHL TrimCut

WARNING

To reduce the risk of injury, always shut off the engine before adjusting the nylon line by hand.

- ▶ Pull the spool up – rotate it about 1/6 turn counterclockwise until it engages – and allow it to spring back.
- ▶ Pull ends of the lines outward.

Repeat the above procedure as necessary until both lines reach the limiter blade on the deflector.

Rotating the spool from one stop to the next advances about 4 cm (1 1/2 in) of fresh line.

22.4 Replacing Nylon Line

STIHL PolyCut

Precut lengths of nylon line can be fitted to the PolyCut in place of the cutting blades.

STIHL DuroCut, STIHL FixCut, STIHL PolyCut

WARNING

To reduce the risk of injury, always shut off the engine before refilling the mowing head.

- ▶ Fit precut lengths of nylon line in the mowing head as described in the instructions provided.

22.5 Replacing Cutting Blades

22.5.1 STIHL PolyCut

Always check the mowing head for signs of wear before installing new cutting blades.

WARNING

If there are signs of serious wear, replace the complete mowing head.

The thermoplastic cutting blades are referred to as "blades" in the following.

The mowing head is supplied with illustrated instructions for replacing the blades. Keep the instructions for the mowing head in a safe place.

WARNING

To reduce the risk of injury, always shut off the engine before installing the blades.

- ▶ Remove the mowing head.
- ▶ Replace blades as shown in the illustrated instructions.
- ▶ Mount the mowing head on the machine.

23 Inspections and Maintenance by Dealer

23.1 Maintenance Work

STIHL recommends that you have servicing and repair work carried out exclusively by an authorized STIHL servicing dealer.

23.2 Fuel Pickup Body in Tank

- ▶ Have the pickup body in the fuel tank replaced every year.

23.3 Spark Arrestor in Muffler

- ▶ If the engine is down on power, have the spark arrestor in the muffler checked.

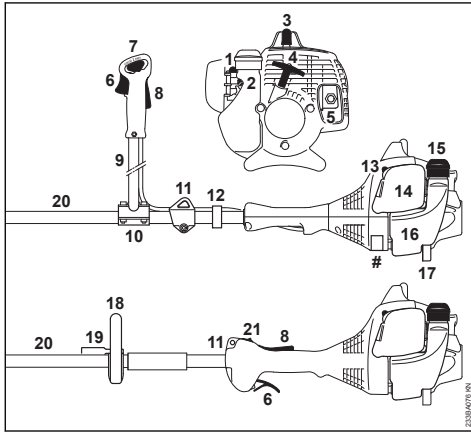
24 Maintenance and Care

The following intervals apply to normal operating conditions only. If your daily working time is longer or operating conditions are difficult (very dusty work area, etc.), shorten the specified intervals accordingly.		before starting work	after finishing work or daily	after each refueling stop	weekly	monthly	every 12 months	if problem	if damaged	as required
Complete machine	Visual inspection (condition, leaks)	X		X						
	Clean		X							
Control handle	Check operation	X		X						
Air filter	Clean							X		X
	Replace								X	
Manual fuel pump (if fitted)	Check	X								
	Have repaired by servicing dealer ¹⁾								X	
Pickup body (filter) in fuel tank	Check							X		
	Have replaced by servicing dealer ¹⁾						X		X	X
Fuel tank	Clean							X		X
Carburetor	Check idle adjustment – the cutting attachment must not rotate	X		X						
	Readjust idle speed									X
Spark plug	Readjust electrode gap							X		
	Replace after every 100 operating hours									
Cooling air inlet	Visual inspection		X							
	Clean									X
Spark arrestor ²⁾ in muffler	Have checked by servicing dealer ¹⁾		X					X		
	Have cleaned or replaced by servicing dealer ¹⁾								X	X
All accessible screws and nuts (not adjusting screws)	Retighten									X
Cutting attachment	Visual inspection	X		X						
	Replace								X	
	Check tightness	X		X						
Metal Cutting Attachment	Sharpen	X								X
Safety labels	Replace							X		

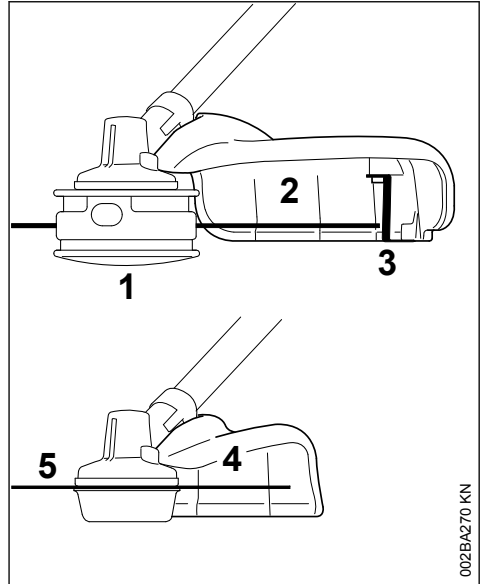
¹⁾STIHL recommends an authorized STIHL servicing dealer.

²⁾not in all versions, market-specific

25 Main Parts



- 1 Manual fuel pump
- 2 Carburetor adjusting screws
- 3 Spark plug boot
- 4 Starter grip
- 5 Muffler (with spark arrestor in some markets)
- 6 Throttle trigger
- 7 Slide control
- 8 Throttle trigger lockout
- 9 Bike handle (handlebar)
- 10 Handle support
- 11 Carrying ring
- 12 Throttle cable retainer
- 13 Choke lever
- 14 Air filter cover
- 15 Tank cap
- 16 Tank
- 17 Machine support
- 18 Loop handle
- 19 Barrier bar (country specific)
- 20 Drive tube
- 21 Stop switch
- # Serial number



- 1 Mowing head
- 2 Deflector for mowing heads only
- 3 Blade
- 4 Deflector for grass cutting blades only
- 5 Grass cutting blade

002BA270 KN

26 Specifications

26.1 Engine

Single-cylinder two-stroke engine

26.1.1 FS 55

Displacement:	27.2cm ³
Cylinder bore:	34 mm
Piston stroke:	30 mm
Engine power to ISO 8893:	0.75 kW (1 hp) at 7000 1/min
Idle speed:	2800 rpm
Cut-off speed (nominal value):	9500 rpm
Max. output shaft speed (cutting attachment):	7700 rpm

26.1.2 FS 55 2-MIX

Displacement:	27.2cm ³
Cylinder bore:	34 mm
Piston stroke:	30 mm
Engine power to ISO 8893:	0.75 kW (1.0 hp) at 8500 1/min
Idle speed:	2800 rpm
Cut-off speed (nominal value):	10000 rpm

Max. output shaft speed 8100 rpm
(cutting attachment):

26.2 Ignition system

Electronic magneto ignition

Spark plug (suppressed): Bosch WSR 6 F,
NGK BPMR 7 A,
STIHL ZK C 14

Electrode gap: 0.5 mm

26.3 Fuel system

All-position diaphragm carburetor with integral fuel pump

Fuel tank capacity: 330 cm³ (0.33 l)

26.4 Weight

Dry, without cutting attachment and deflector

FS 55: 5.0 kg

FS 55 2-MIX: 5.1 kg

FS 55 C: with ErgoStart: 5.2 kg

FS 55 R: 4.8 kg

FS 55 R 2-MIX: 4.9 kg

FS 55 RC: with ErgoStart: 5.0 kg

26.5 Sound and Vibration Levels

The idle speed and nominal maximum speed are equally taken into account when calculating the sound and vibration levels.

For further details on compliance with Vibration Directive 2002/44/EC, see

www.stihl.com/vib

26.5.1 Sound pressure level L_{peq} in accordance with ISO 22868

with mowing head

FS 55 with bike handle: 95 dB(A)

FS 55 R: 95 dB(A)

with metal mowing tool

FS 55 with bike handle: 94 dB(A)

FS 55 R with barrier bar: 94 dB(A)

26.5.2 Sound power level L_w in accordance with ISO 22868

with mowing head

FS 55 with bike handle: 108 dB(A)

FS 55 R: 108 dB(A)

with metal mowing tool

FS 55 with bike handle: 107 dB(A)

FS 55 R with barrier bar: 107 dB(A)

26.5.3 Vibration level $a_{hv,eq}$ in accordance with ISO 22867

with mowing head	Handle, left	Handle, right
FS 55 with bike handle:	5.5 m/s ²	5.5 m/s ²

with mowing head	Handle, left	Handle, right
FS 55 R:	8.5 m/s ²	8.5 m/s ²

with metal mowing tool	Handle, left	Handle, right
FS 55 with bike handle:	6.8 m/s ²	5.6 m/s ²
FS 55 R with barrier bar:	8.0 m/s ²	9.0 m/s ²

The K-factor in accordance with Directive 2006/42/EC is 2.0 dB(A) for the sound pressure level and sound power level; the K-factor in accordance with Directive 2006/42/EC is 2.0 m/s² for the vibration level.

26.6 REACH

REACH is an EC regulation and stands for the Registration, Evaluation, Authorization and Restriction of Chemical substances.

For information on compliance with the REACH regulation (EC) No. 1907/2006 see

www.stihl.com/reach

26.7 Exhaust Emissions

The CO₂ value measured in the EU type approval procedure is specified at

www.stihl.com/co2

in the product-specific technical data.

The measured CO₂ value was determined on a representative engine in accordance with a standardized test procedure under laboratory conditions and does not represent either an explicit or implied guarantee of the performance of a specific engine.

The applicable exhaust emission requirements are fulfilled by the intended usage and maintenance described in this User Manual. The operating license shall be void if the engine is modified in any way.


27 Maintenance and Repairs

Users of this machine may only carry out the maintenance and service work described in this user manual. All other repairs must be carried out by a servicing dealer.

STIHL recommends that you have servicing and repair work carried out exclusively by an authorized STIHL servicing dealer. STIHL dealers are regularly given the opportunity to attend training courses and are supplied with the necessary technical information.

When repairing the machine, only use replacement parts which have been approved by STIHL for this power tool or are technically identical. Only use high-quality replacement parts in order to avoid the risk of accidents and damage to the machine.

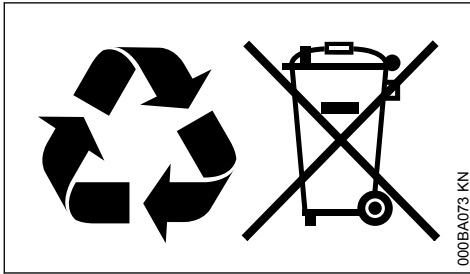
STIHL recommends the use of original STIHL replacement parts.

Original STIHL parts can be identified by the STIHL part number, the **STIHL** logo and the STIHL parts symbol  (the symbol may appear alone on small parts).

28 Disposal

Contact the local authorities or your STIHL servicing dealer for information on disposal.

Improper disposal can be harmful to health and pollute the environment.



- ▶ Take STIHL products including packaging to a suitable collection point for recycling in accordance with local regulations.
- ▶ Do not dispose with domestic waste.

29 EC Declaration of Conformity

ANDREAS STIHL AG & Co. KG
Badstr. 115
D-71336 Waiblingen
Germany

declare under our sole responsibility that

Designation:	Brushcutter
Make:	STIHL
Series:	FS 55 FS 55 C FS 55 C-E FS 55 R FS 55 RC FS 55 RC-E
Serial identification number:	4140
Displacement:	27.2 cm ³

conforms to the relevant provisions of Directives 2011/65/EU, 2006/42/EC, 2014/30/EU and 2000/14/EC and has been developed and manufactured in compliance with the following standards in the versions valid on the date of production:

EN ISO 11806-1, EN 55012, EN 61000-6-1

The measured and the guaranteed sound power level have been determined in accordance with Directive 2000/14/EC, Annex V, and standard ISO 10884.

Measured sound power level

108 dB(A)

Guaranteed sound power level

110 dB(A)

Technical documents deposited at:

ANDREAS STIHL AG & Co. KG
Produktzulassung (Product Licensing)

The year of manufacture and serial number are applied to the product.

Done at Waiblingen, 03.02.2020

ANDREAS STIHL AG & Co. KG

pp



Dr. Jürgen Hoffmann

Director Product Certification & Regulatory Affairs

CE

www.stihl.com



0458-233-8321-G



0458-233-8321-G